

YUH WALL

The fixture primarily provides glare-free downward directed light. The angle of the shade can be adjusted to optimize light distribution. A slim opening in the top of the shade provides soft, ambient upward illumination. A mechanical system provides great freedom of movement, so the light can always be set in the ideal position in the workspace, living room etc. Built-in LED technology provides a high quality of light with stepless dimming from 100% to 15%. Optional timer capability automatically turns off the light after a chosen duration of 4 or 8 hours. Returns to the last dim level setting when switched on. The switch and dimmer button is placed on the wall box.



GamFratesi

GamFratesi's design take their creative drive from a fusion of tradition and innovation in an experimental approach to their chosen materials and techniques. Each with their own traditional background, Stine Gam and Enrico Fratesi draw on classic Danish furniture and craftsmanship as well as a classic Italian intellectual and conceptual approach.



Set location - The Silo

Product info

Information

Electrical: System Wattage: 10W LED Wattage: 9W Delivered lumens: 446 Efficacy: 44.6 lm/W Certifications: cULus, Dry Location Protection class IP20 Controllability: Dimming by integral button switch Color Rendering: Ra≥90

Mounting

Shade: Spun steel. Base: Spun aluminum. Arm: Steel.

Finish

White or black. Matte wet painted. Brass versions: White or black shade. Matte wet painted. Clear lacquered, brushed brass stem and wall box.

Materials

Shade: Die cast aluminum. Stem: Extruded brass (wet painted or clear lacquered). Wall box: Die cast aluminum (wet painted) or extruded brass (clear lacquered).

Sizes and weight

Width x Height x Length (in.) | 11.7 x 24.6 x 11.7 Max 4.9 lbs

Compliance

cULus, Dry location.

Light source

LED 2700K 10W

Lumen: 446

Information

Electrical:

System Wattage: 10W

LED Wattage: 9W

Delivered lumens: 446

Efficacy: 44.6 lm/W

Certifications:

cULus, Dry Location

Protection class IP20

Controllability: Dimming by integral button switch

Color Rendering: Ra≥90



Related products



Yuh Table



Yuh Floor

Product variants

Color	Light source	Voltage frequency
<input checked="" type="radio"/> Black	LED 2700K 10W	120V
<input checked="" type="radio"/> Brass/black		
<input type="radio"/> Brass/white		
<input type="radio"/> White		

Product description

Yuh wall lamp was designed by GamFratesi. The fixture head is highly adjustable by sliding up & down on a slender stem while also pivoting and rotating. An efficient LED light source with an opal lens provides comfortable illumination.

Mounting

Mounted directly to finished surface over a 4" octagonal junction-box. Switch: On/off switch on the wall plate. Electronic LED driver is housed inside the wall box.

Light description

Light distribution is 100% glare-free. Direct view of the light source is prevented to eliminate glare. Standard CCT in 2700K, controlled by electronic driver.

Design

GamFratesi

Material

Luminaire constructed in aluminum for durability and heat management. Springs and mounting hardware are steel.

Weight

Min: 4.63 lbs Max: 4.85 lbs

Finish

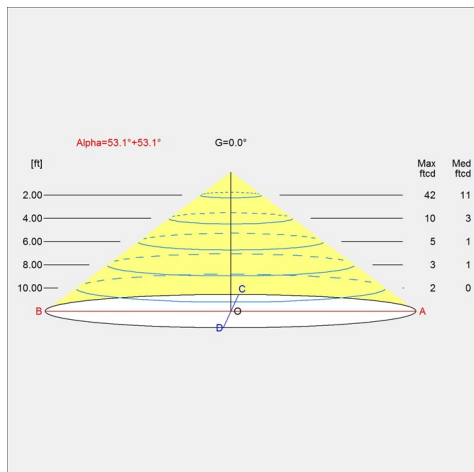
Black, Brass/black, Brass/white, White

Voltage

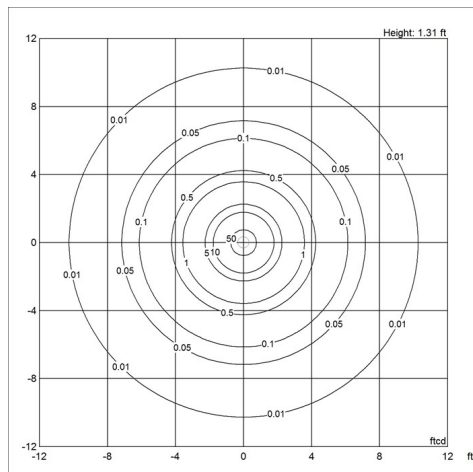
120V

Light distribution diagrams

Cartesian



Isolux



Polar

