

# VL38 WALL

The fixture emits downward directed light. The angle of the shade can be adjusted to optimize light distribution. The shade is painted white on the inside to ensure a soft comfortable light.



## Vilhelm Lauritzen

Vilhelm Lauritzen (1894–1984) is one of the most significant architects in the history of Denmark; he was the trail-blazing figurehead of Danish functionalism. A number of his buildings – Nørrebro Theatre (1931–32), Daells Varehus department store (1928–35), Radihuset (1936–41) and the first airport built in Kastrup (1937–39) – represented the concentrated essence of contemporary life.



## Product info

### Information

Electrical: System Wattage: 10W LED Wattage: 9W Delivered lumens: 416 Efficacy: 41.3 lm/W Certifications: cULus, Dry Location Protection class IP20 Controllability: Dimming by integral button switch Color Rendering: Ra $\geq$ 90

### Mounting

Surface: Mounted directly to finished surface over a 4" octagonal junction-box.

### Finish

Brushed brass. Black or White, powder coated.

### Materials

Wall box: Punched aluminum. Shade: Spun aluminum. Arm: Brushed brass.

### Sizes and weight

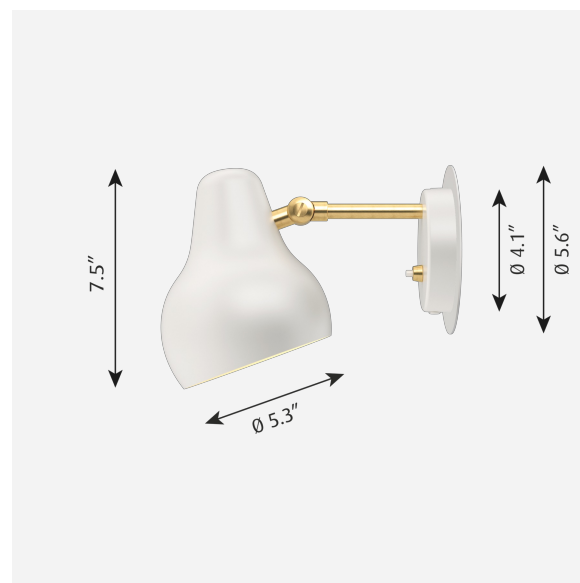
Width x Height x Length (in.) | 5.3 x 7.5 x 11.4 Max 2.4 lbs

### Compliance

cULus, Dry location.

### Light source

LED 2700K 9.6W  
Lumen: 416



### Information

Electrical:  
System Wattage: 10W  
LED Wattage: 9W  
Delivered lumens: 416  
Efficacy: 41.3 lm/W  
Certifications:  
cULus, Dry Location  
Protection class IP20  
Controllability: Dimming by integral button switch  
Color Rendering: Ra $\geq$ 90

## Related products



VL38 Floor



VL38 Table

## Product variants

Color	Light source	Voltage frequency
<input checked="" type="radio"/> Black	LED 2700K 9.6W	120V
<input type="radio"/> White		

# Product description

VL38 wall lamp is based on the original design of the VL38 table lamp, originally designed in the late 1930s by Vilhelm Lauritzen. Reintroduced in 2016 with current LED technology.

---

## Mounting

Mounted directly to finished surface over a 4" octagonal junction-box. Switch: On/off switch on the wall plate. Electronic LED driver is housed inside the wall box.

---

## Light description

Light distribution is 100% glare-free. Direct view of the light source is prevented to eliminate glare. Standard CCT in 2700K, controlled by electronic driver.

---

## Design

Vilhelm Lauritzen

---

## Material

Luminaire constructed in aluminum for durability and heat management. Springs and mounting hardware are steel.

---

## Weight

Min: 2.425 lbs Max: 2.425 lbs

---

## Finish

Black, White

---

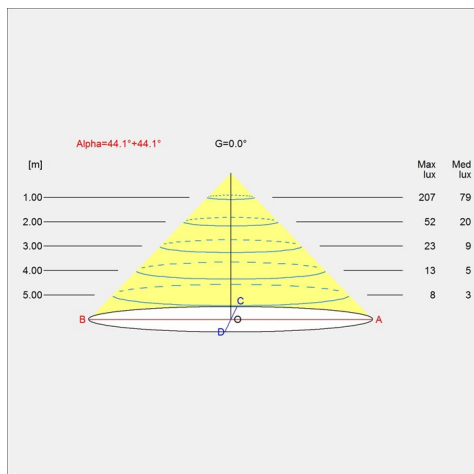
## Voltage

120V

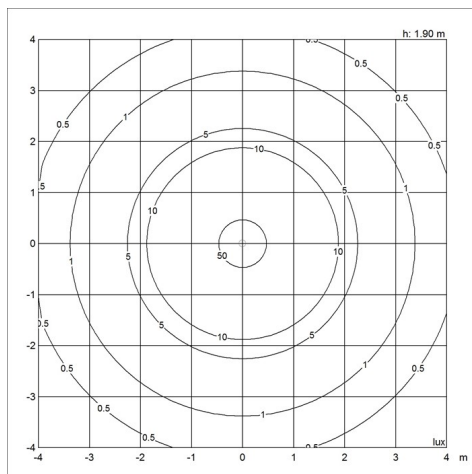
---

# Light distribution diagrams

Cartesian



Isolux



Polar

