

VL38 FLOOR

The fixture emits downward directed light. The angle of the shade can be adjusted to optimize light distribution. The shade is painted white on the inside to ensure a soft comfortable light.



Vilhelm Lauritzen

Vilhelm Lauritzen (1894–1984) is one of the most significant architects in the history of Denmark; he was the trail-blazing figurehead of Danish functionalism. A number of his buildings – Nørrebro Theatre (1931–32), Daells Varehus department store (1928–35), Radihuset (1936–41) and the first airport built in Kastrup (1937–39) – represented the concentrated essence of contemporary life.



Product info

Information

Please note that the brass surfaces are untreated. This means that the surface will change over time and develop a patina.

Mounting

10' Cord with plug. Timer function: 4 hours/8 hours. LED driver: Separate, plugs into power outlet. On/off foot switch provided.

Finish

Brushed brass. Black or white, powder coated.

Materials

Base: Die cast aluminum. Shade: Spun aluminum. Stem: Brushed brass.

Sizes and weight

Width x Height x Length (in.) | 5.3 x 47.2 x 9.8 Max 9.3 lbs

Compliance

cULus, Dry location.

Light source

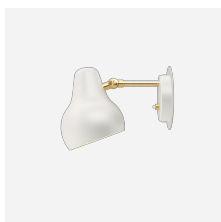
LED 2700K 9.6W
Lumen: 416

Information

Please note that the brass surfaces are untreated. This means that the surface will change over time and develop a patina.



Related products



VL38 Wall



VL38 Table

Product variants

Color	Light source	Voltage frequency
<input checked="" type="radio"/> Black	LED 2700K 9.6W	120V
<input type="radio"/> White		

Design

Vilhelm Lauritzen

Weight

Min: 9.259 lbs Max: 9.259 lbs

Finish

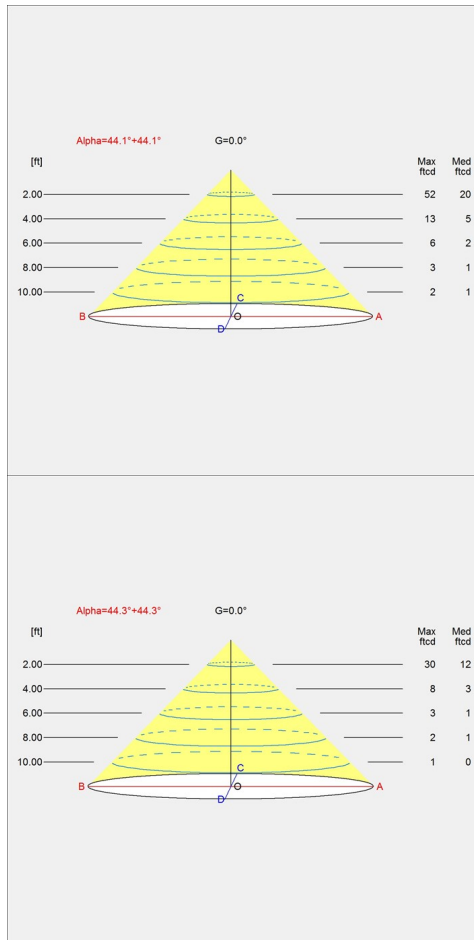
Black, White

Voltage

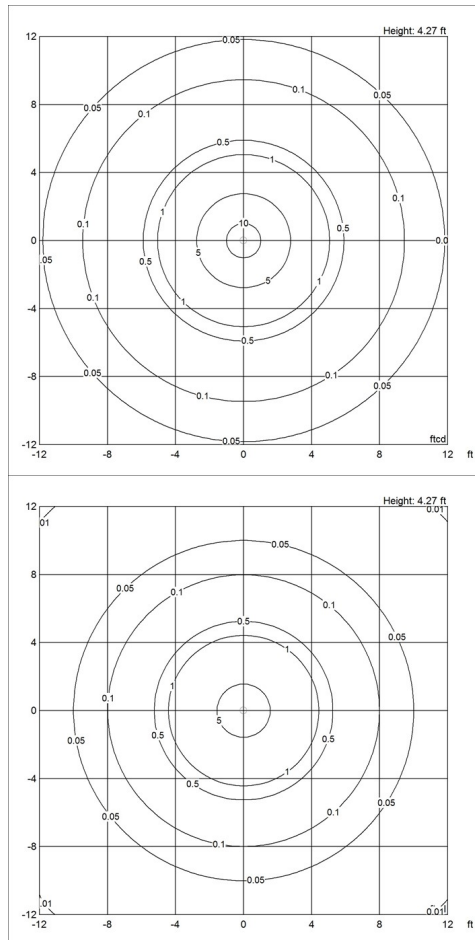
120V

Light distribution diagrams

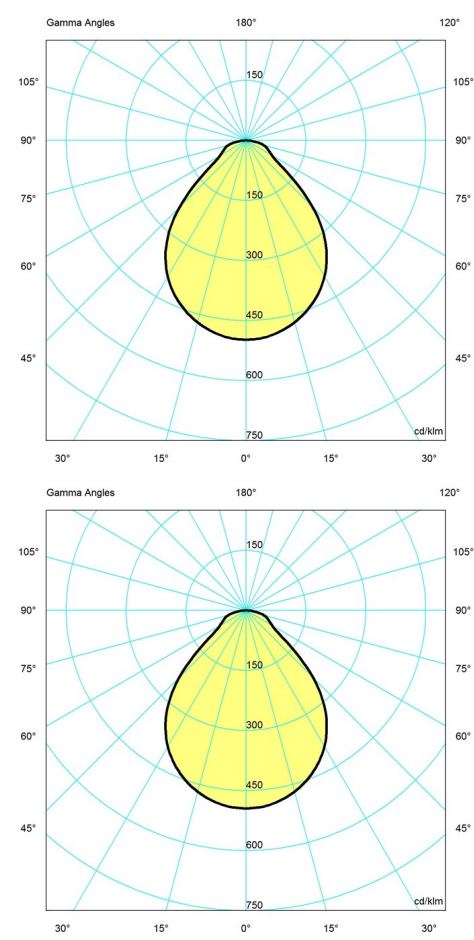
Cartesian



Isolux



Polar



Spare parts & accessories

Product	Variant number
Adaptor 12V black	5744164867
Adaptor 12V white	5744164870