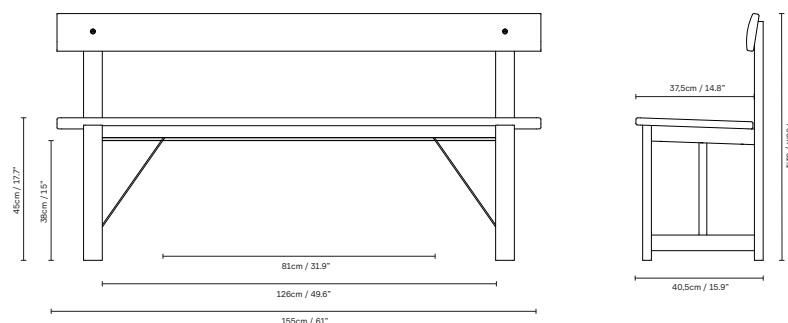


Position Bench

Product Fact Sheet

Position Bench

No. (1220) Position Bench 155, oak / No. (1221) Position Bench 155, white oak



Dimensions:

L: 155 cm / 61.0", W: 40,5 cm / 15.9", H: 79 cm / 31.1", Seat H: 45,5 cm / 17.9"

Product description:

The Bench has a clear silhouette with its straight horizontal and vertical lines. The contrast to the natural, solid danish oak gives the bench an interesting warmth, yet a clear expression. The minimal backrest with its moderate angle supports the seating position. The bench can be accompanied by a leather cushion which offers an extra level of comfort and style. Due to its natural material, the leather cushion will patinate beautifully over time.

Designer's thoughts:

"We wanted to create a comfortable and archetypical bench where only a few design elements stood out. The brass details are important to highlight which is why the braces are pulled down towards the floor. This makes the bench both strong and easily recognizable." – Herman Studio

Finish:



Natural oil treated



White oil treated

Made-to-order:

Non-standard configurations (special colours etc.) are available upon request at a minimum order quantity

Product type: Bench

Environment: Indoor

Material: Solid European oak and raw brass detail

Country of origin: Bosnia-Herzegovina

Net weight: 19 kg / 41.9 lb

Designed by/year of design: Herman Studio, 2018

Note: Leather cushion is not included. The bench naturally fits three people and most dining tables

Pre-assembled: No, consists of six parts

Contract use: Yes

Scope of application: Dining bench, hallway bench

Warranty: Form & Refine provides a five-year product warranty

Care guide Oiled Wood: [Link to download](#)

Assembly guide: [Link to download](#)

Additional resources: [Link to image bank, 2D/3D files](#)