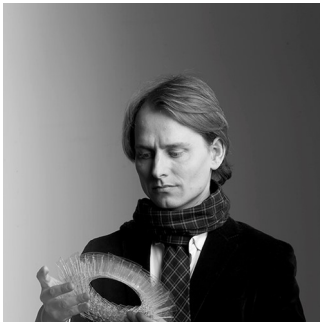


PATERA OVAL

The pendant is a glowing ellipsoid made up of diamond-shaped cells. Each cell has been carefully designed to capture light and to conceal the light source when viewed from angles above 40 degrees. Below 40 degrees, the lamp provides direct, downward light. The round opening underneath provides direct light with a soft transition toward the reflected light. The pendant can be used with or without a diffuser plate, depending on whether or not the view of the light source creates an unwanted glare.



Øivind Slaatto

Øivind Slaatto (born 1978) is a promising Danish designer, recognised for his simple and poetic solutions. Nature is Øivind's most important source of inspiration. He also seeks to transfer characteristics such as rationality, logic and harmony to his designs.



Product info

Information

Electrical: System Wattage: 41W (LED); 40W (INC) LED Wattage: 39W Delivered lumens: 2,553 - 2,656 (LED)
Efficacy: 62 lm/W - 65 lm/W (LED) Certifications: cULus, Damp Location Protection class IP20 Controllability: 0-10V Dimming (LED variants); Phase dimming (incandescent variant) Color Rendering: Ra \geq 90 for LED variants.
Performance dependent upon screw-base lamp used in socketed variants.

Mounting

Canopy: White. Cord type: 2-conductor, 18 AWG white cloth-covered power cord. Cord length: 12'. LED: Canopy contains driver.

Finish

White, matte coated.

Materials

Shade: matte PVC sheet. Frame: White, opal, matte-coated injection-molded polycarbonate with steel reinforcing rods. Stem: aluminum. LED: Aluminum heatsink. Bottom diffuser: Injection-molded opal white acrylic.

Sizes and weight

Width x Height x Length (in.) | 19.7 x 14.2 x 19.7 Max 6.5 lbs

Compliance

cULus, Damp location.

Specification notes

a. Incandescent variant available only in 120V. b. LED variants available only in 120-277V with 0-10V dimming.

Light source

1x22W E26

Information

Electrical:
System Wattage: 41W (LED); 40W (INC)
LED
Wattage: 39W
Delivered lumens: 2,553 - 2,656 (LED)
Efficacy: 62 lm/W - 65 lm/W (LED)
Certifications:
cULus, Damp Location
Protection class IP20
Controllability: 0-10V Dimming (LED variants); Phase dimming (incandescent variant)
Color Rendering: Ra \geq 90 for LED variants.
Performance dependent upon screw-base lamp used in socketed variants.

Related products



Patera



Product variants

Dimension	Light source	Lumen	Voltage frequency	Lighting control
19.7 IN	1x22W E26	-	120-277V/60HZ	-
	LED 2700K 41W	2553	120V	Dim 0-10v
	LED 3000K 41W	2656		

Product description

Patera is a modern pendant with a vibrant and beautiful light. From a distance it is a simple ellipsoid. As you move closer the details come to life, revealing a structure that is ever present in nature, inspired from the Fibonacci mathematical sequence. The shade is built up of small diamond-shaped cells formed by the weaving of ribbons of material. Each cell is carefully designed to capture light and to shield the light source from the viewing angles above 45 degrees. Traditional socket available for use with the customer's preferred lamping. Dedicated LED variants are available.

Mounting

Longer cord lengths. LED in 3500K or 4000K. Alternative dimming controls.

Light description

Longer cord lengths. LED in 3500K or 4000K. Alternative dimming controls.

Design

Øivind Slaatto

Material

Shade: Matte PVC sheet, .05" thick. Frame: White, opal, matte-coated injection-molded polycarbonate, .03" thick with steel reinforcing rods, .04" thick. Vertical stabilizing stem: aluminum, .05" thick. LED: Aluminum heatsink. Bottom diffuser: Injection-molded opal white acrylic, 0.1" thick.

Weight

Min: 3.688 lbs Max: 6.53 lbs

Dimensions

19.7 IN

Other functions

Longer cord lengths. LED in 3500K or 4000K. Alternative dimming controls.

Finish

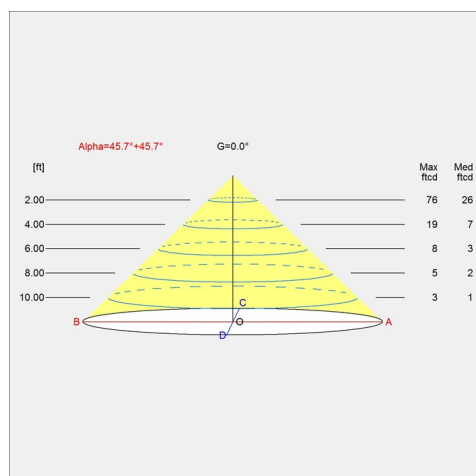
White matt

Voltage

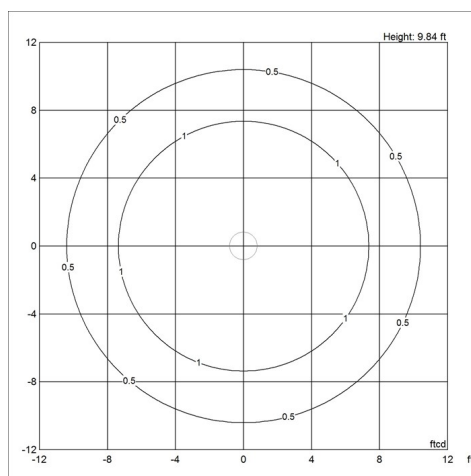
120-277V/60HZ, 120V

Light distribution diagrams

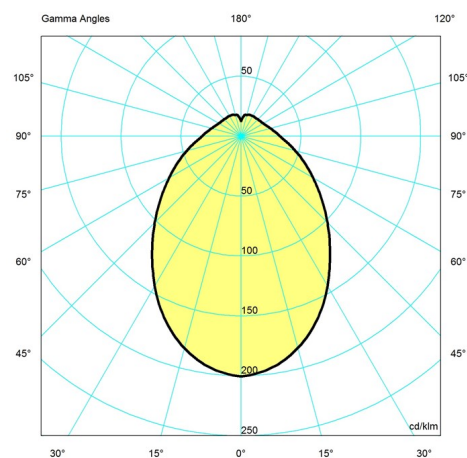
Cartesian



Isolux



Polar



Spare parts & accessories

Product

Canopy White 2-part tophat @

Patera Oval bottom diffuser

Variant number

5749329034

5741106019

