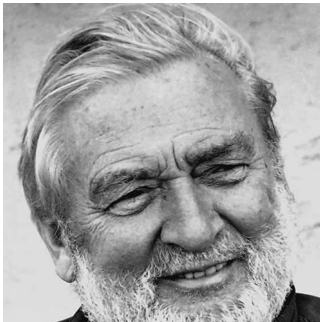


PANTHELLA 320 TABLE LAMP

The fixture emits a soft, comfortable, glare-free, light. The metal-shade versions direct the light directly downward, creating a pleasant illumination due to the inner white-painted shade and the reflection from the trumpet-shaped stem. The opal acrylic produces a diffused, comfortable light due to the translucent shade, the downward reflection from the inner shade, and the reflection from the trumpet-shaped stem.



Verner Panton

Verner Panton (1926-1998) is famous for his inspirational and colorful personality. A unique person with a special sense for color, shape, light function and space. Over the course of his career, Panton introduced a series of modern lamps with personalities unlike any of his Scandinavian contemporaries.



Product info

Environmental Product Specification

This product is compliant with the requirements contained in the European Directives, RoHS Directive 2011/65 and 2015/863. This product is designed so that 100% of the product can be disassembled and reused.

Information

Electrical: System Wattage: 10W Delivered lumens: 270 - 367 lm Efficacy: 27 - 36 lm/W Certifications: cULus, Dry Location Protection class IP20 Color Rendering: Ra≥90 Actual performance dependent upon screw-base lamp used.

Mounting

Cable type: White for white and brass finishes; Black for other finishes. Cable length: 8'. Switch: In-line on/off. Diffuser with bayonet lock.

Finish

White opal acrylic shade with white stand. Gray opal acrylic shade with high-luster chrome stand. High-luster chrome shade and stand. Brass metallized shade and stand.

Materials

Shade: Injection-molded acrylic or deep-drawn steel. Base and housing: Cast aluminum. Diffuser: Injection-molded opal pmma.

Sizes and weight

Width x Height x Length (in.) | 12.6 x 17.2 x 12.6 Max 3.3 lbs

Compliance

cULus, Dry location.

Light source

1x10W G16.5/candelabra Max. diameter: 48 in. Max. height: 83 in.

Information

Electrical:

System Wattage: 10W

Delivered lumens: 270 - 367 lm

Efficacy: 27 - 36 lm/W

Certifications:

cULus, Dry Location

Protection class IP20

Color Rendering: Ra≥90

Actual performance dependent upon screw-base lamp used.



Related products



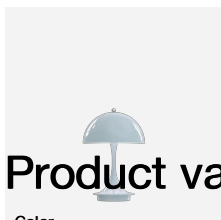
Panthella 250 Table Lamp



Panthella Floor



Panthella 400 Table Lamp



Product variants

Color	Cable type	Light source	Voltage frequency
Panthella 160 Portable <input type="radio"/> Brass metallised	Black cord	1x10W G16.5/candelabra	-
<input type="radio"/> Grey opal acryl	White cord	1x7.5W G16.5/candelabra	120V
<input type="radio"/> High lustre chrome plated			
<input type="radio"/> White opal acryl			

Product description

The fixture emits a soft, comfortable, glare-free, light. The metal-shade versions direct the light directly downward, creating a pleasant illumination due to the inner white-painted shade and the reflection from the trumpet-shaped stem. The opal acrylic produces a diffused, comfortable light due to the translucent shade, the downward reflection from the inner shade, and the reflection from the trumpet-shaped stem.

Light description

The fixture emits a soft, comfortable, glare-free, light. The metal-shade versions shield from upward light while the opal acrylic shade provides pleasant upward illumination.

Design

Verner Panton

Material

Shade: Injection-molded acrylic or deep-drawn steel. Base and housing: Cast aluminum.

Diffuser: Injection-molded opal pmma. Cable type: White for white and brass finishes; Black for other finishes. Cable length: 8'. Switch: In-line on/off. Diffuser with bayonet lock.

Weight

Min: 3.307 lbs Max: 3.307 lbs

Other functions

White cord on white opal and metalized brass versions. Black cord on gray opal and chrome versions.

Finish

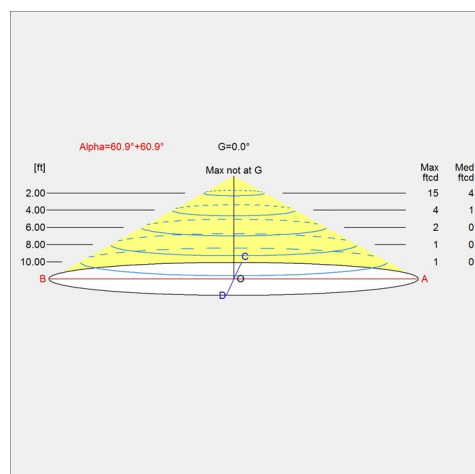
Brass metallised, Grey opal acryl, High lustre chrome plated, White opal acryl

Voltage

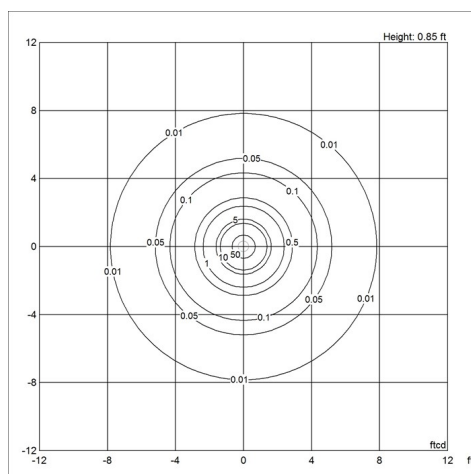
120V

Light distribution diagrams

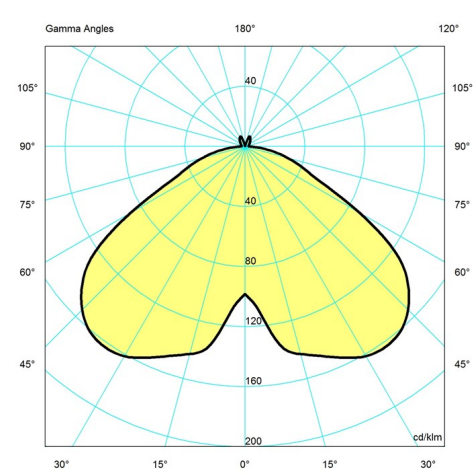
Cartesian



Isolux



Polar



Spare parts & accessories

Product	Variant number
Panthella Table 320 diffuser	5744167592
Panthella Table 320 bayonet base	5744167602
Panthella 320 Opal shade	5744167615
Panthella 320 Brass shade	5744167628
Panthella 320 Chrome shade	5744167631
Panthella Table 320 top nut chrome	5744167644
Panthella Table 320 top nut brass PVD	5744167657
Panthella 320 Opal Grey shade	5744168041