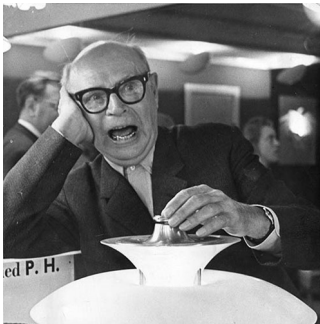
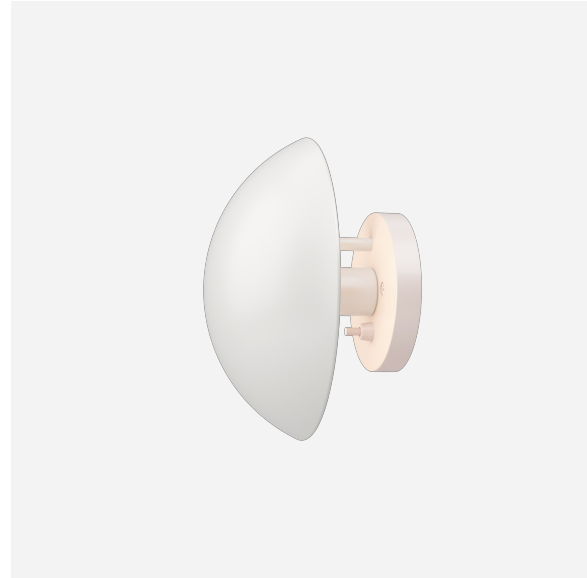


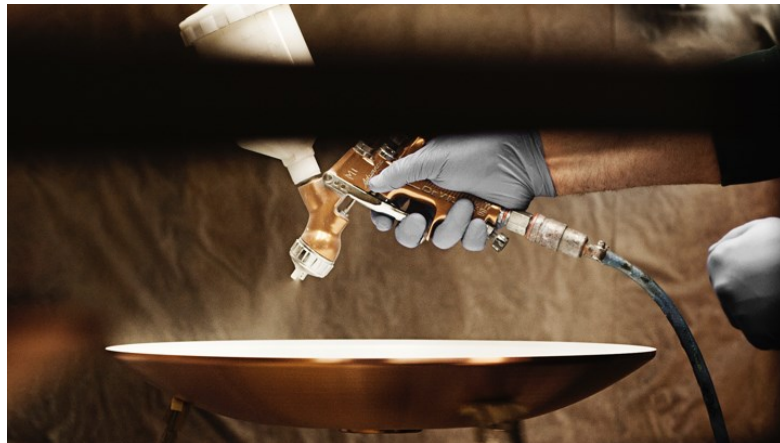
PH HAT

The fixture emits indirect 100% glare-free light. The light emission depends on the angle of the screen, which can be tilted from 0° to about 67°. The shade is rose coloured on the inside, giving the light a warm tone.



Poul Henningsen

Poul Henningsen was born in Copenhagen by the famous Danish writer Agnes Henningsen. He never graduated as an architect, but studied at The Technical School at Frederiksberg, Denmark from 1911-14, and then at Technical College in Copenhagen from 1914-17.



Product info

Information

Electrical: System Wattage: 10W Delivered lumens: 174 lm Efficacy: 17.4 lm/W Certifications: cULus, Dry Location Protection class IP20 Controllability: Phase Dimming Color Rendering: Ra \geq 90 Actual performance dependent upon screw-base lamp used.

Mounting

Surface: Mounted directly to a 4" octagonal junction-box.

Finish

The outer shade is white, wet-painted. The inner shade is rose-colored, wet-painted.

Materials

Shade: Spun steel. Wall box: Spun steel.

Sizes and weight

Width x Height x Length (in.) | 8.7 x 8.7 x 6 Max 3.6 lbs

Compliance

cULus, Dry location.

Light source

1x10W E12

Information

Electrical:

System Wattage: 10W

Delivered lumens: 174 lm

Efficacy: 17.4 lm/W

Certifications:

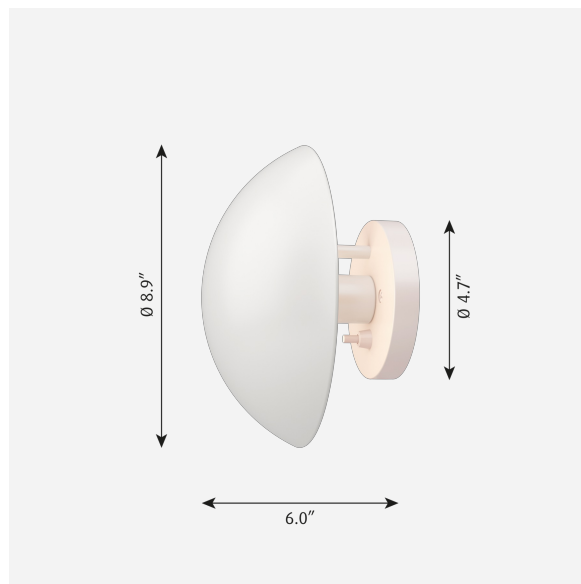
cULus, Dry Location

Protection class IP20

Controllability: Phase Dimming

Color Rendering: Ra \geq 90

Actual performance dependent upon screw-base lamp used.



Product variants

Dimension	Light source
8.9 IN	1x10W E12

Product description

The fixture emits indirect 100% glare-free light. The light distribution depends on the angle of the shade. The shade is rose colored on the inside, giving the light a warm tone.

Mounting

Surface: Mounted directly to a 4" octagonal junction-box.

Light description

The luminaire emits glare-free light. The front shade is rose colored on the inside, providing a warm tone to the light reflected onto the surrounding wall. The shade tilts away from the wall, allowing more downward distribution.

Design

Poul Henningsen

Material

Shade: Spun steel. Wall box: Spun steel.

Weight

3.605

Dimensions

8.9 IN

Other functions

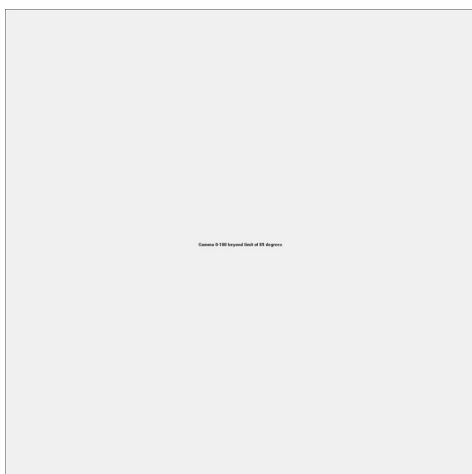
On/off button switch on wall box.

Finish

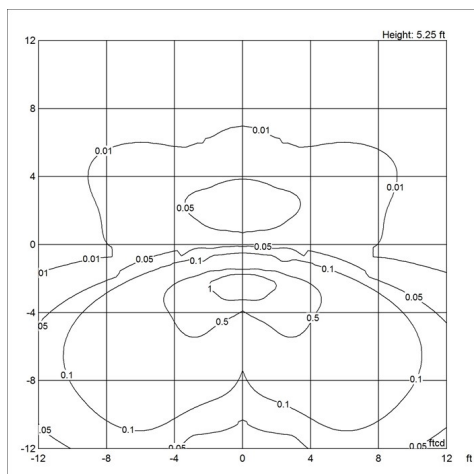
White

Light distribution diagrams

Cartesian



Isolux



Polar

