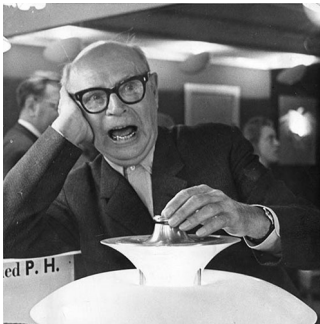


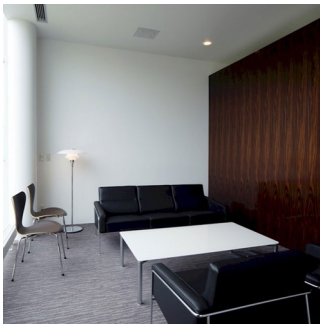
PH 4½-3½ GLASS FLOOR

The fixture is designed based on the principle of a reflective three-shade system, which directs the majority of the light downwards. The shades are made of hand blown opal three-layer glass, which is glossy on top and sandblasted matte on the underside, giving a soft and diffused light distribution.



Poul Henningsen

Poul Henningsen was born in Copenhagen by the famous Danish writer Agnes Henningsen. He never graduated as an architect, but studied at The Technical School at Frederiksberg, Denmark from 1911-14, and then at Technical College in Copenhagen from 1914-17.



Sydbank

Product info

Mounting

7' Cord with plug. On/off foot switch provided.

Finish

High lustre chrome plated. White opal glass.

Materials

Base: High lustre chrome plated, spun brass. Shades: Hand blown white opal glass. Anti-glare ring: Purple, spun aluminum. Top plate: High lustre chrome plated, spun brass. Stem: High lustre chrome plated, steel.

Sizes and weight

Width x Height x Length (in.) | 17.7 x 49.2 x 17.7 Max 34.3 lbs

Compliance

cULus, Dry location.

Light source

1x15W A-19/IF medium US

Related products



PH 4½-4 Glass Pendant



PH 4½-3½ Glass Table



Product variants

Light source

1x15W A-19/IF medium US

Voltage frequency

120V

Product description

Portable fixture.
Terse and iconic design.
The size of the three shades is adjusted for optimum performance and comfort.
Interior surfaces of glass shades sandblasted to diffuse light.
Member of a family products of various sizes and type.

Mounting

Portable fixture plugs into standard wall outlet.

Light description

The fixture emits glare free, comfortable light.

Design

Poul Henningsen

Material

Shades: mouth blown white glass, 1.5 mm (0.06") thick.
Struts: chrome plated steel.
Interior reflectors: spun aluminum, lilac powder coated.
Base: steel with chrome-plated brass cover.
Stem: extruded steel, chrome plated, 1.5 mm (0.06") thick.
Switch: on/off, phenolic, on cord.
Socket: Porcelain, medium base for A-19, frosted envelope lamps.

Weight

34.311

Finish

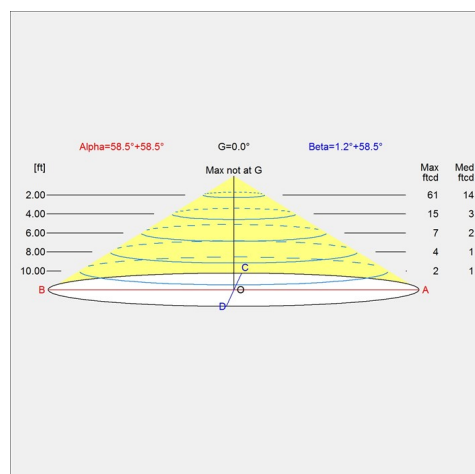
High lustre chrome plated

Voltage

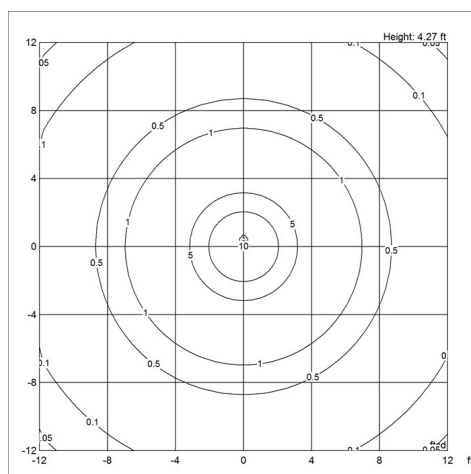
120V

Light distribution diagrams

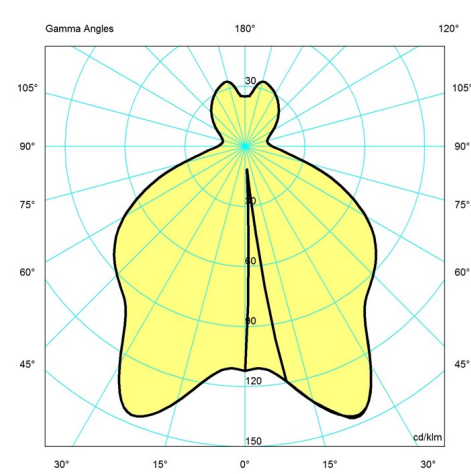
Cartesian



Isolux



Polar



Spare parts & accessories

Product

Finger screw SS M3X12 (3pcs) lower
 PH 4½-3½ glass Table/Floor middle shade
 PH 4½-3½ glass Table/Floor lower shade
 PH 4½-3½ glass Table/Floor topshade acc
 Finger screw SS M3X16 (3pcs) middle
 Black foot switch

Variant number

5744610528
 5744610612
 5744610625
 5744610722
 5744610845
 5717000000