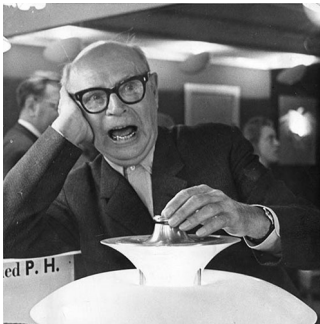


PH 4/3 TABLE

The fixture is designed based on the principle of a reflective three-shade system, which directs the majority of the light downwards. The shades are made of metal and painted white to ensure a diffused, comfortable light distribution.



Poul Henningsen

Poul Henningsen was born in Copenhagen by the famous Danish writer Agnes Henningsen. He never graduated as an architect, but studied at The Technical School at Frederiksberg, Denmark from 1911-14, and then at Technical College in Copenhagen from 1914-17.



Ballywalter

louis poulsen

Design to Shape Light

louispoulsen.com

Product info

Mounting

Cord with plug. Cord length: 8'. On/off switch provided.

Finish

White, powder coated. High lustre chrome plated.

Materials

Base: High lustre chrome plated, spun brass. Shades: Spun aluminum. Stem: High lustre chrome plated, steel. Triangular piece: Black, injection molded bakelite.

Sizes and weight

Width x Height x Length (in.) | 17.7 x 21.6 x 17.7 Max 6.5 lbs

Compliance

cULus, Dry location.

Light source

1x15W A-19/medium

Related products



PH 4/3 Pendant



Product variants

Light source

1x15W A-19/medium

Voltage frequency

120V

Product description

Portable fixture.
Terse and iconic design.
The size of the three shades is adjusted for optimum performance and comfort.
Interior surfaces of shades matte finished to diffuse light.
Member of a family products of various sizes and type.

Mounting

Portable fixture plugs into standard wall outlet.

Light description

The fixture emits glare free, mostly downward light.

Design

Poul Henningsen

Material

Shades: spun aluminum, 1.5mm (0.06") thick, white wet painted.
Struts: stamped steel.
Socket cover and base accent: black injection molded Bakelite.
Base: steel with chrome-plated brass cover.
Stem: extruded steel, chrome plated, 1.5mm (0.06") thick.
Switch: on/off, phenolic, on cord.
Socket: Porcelain, medium base for A-19, frosted envelope lamps.

Weight

6.539

Finish

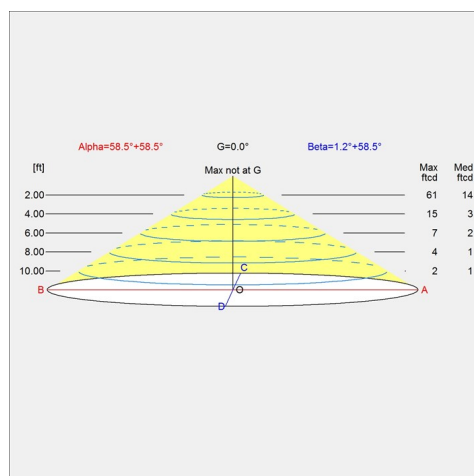
White

Voltage

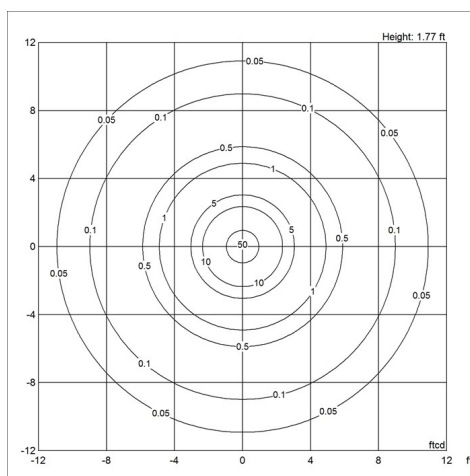
120V

Light distribution diagrams

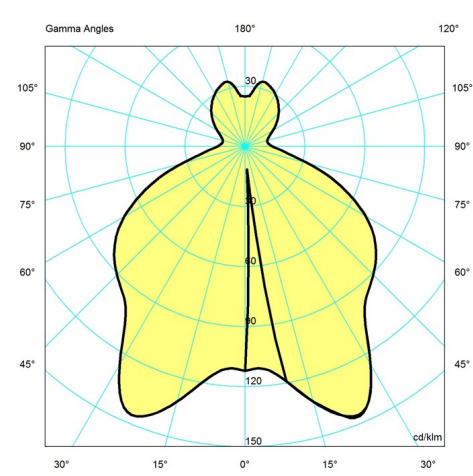
Cartesian



Isolux



Polar



Spare parts & accessories

Product

PH 4/3 Table, finger screw with washer

PH 4/3 Table, middle/lower shade set

PH 4/3 Table, top shade

PH 4/3 Table, nipple

PH 4/3 Table, lampholder ass.

PH 4/3 Table lampholder, bracket

Variant number

5744610230

5744610829

5744610926

5744610515

5744610696

5744610706