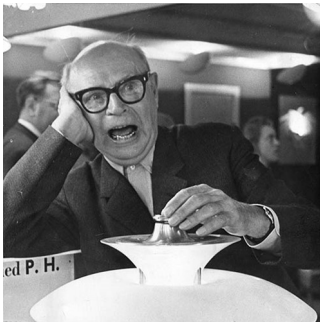


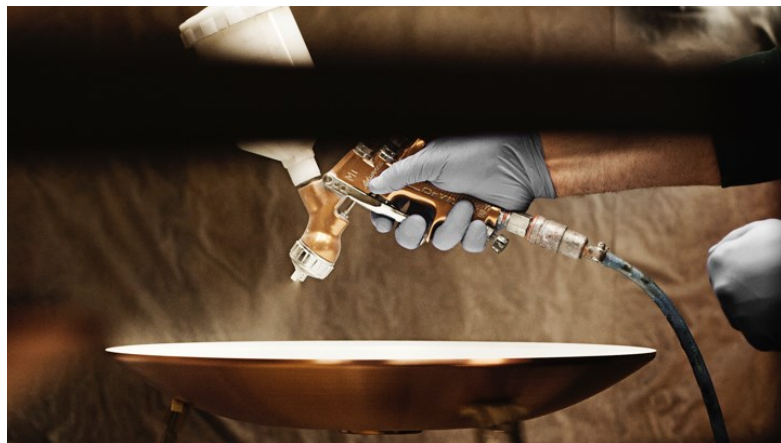
PH 3½-2½ TABLE

The louvre is 100% glare-free, with a design based on the principle of a reflective three-shade system, which directs most of the light downwards. For some variants, the top shade is made of deep drawn aluminum with white inner surface that ensures gentle, downward light distribution. The two bottom handblown opal glass shades ensure a large glare-free light surface, making optimum use of the light source to provide comfortable, functional lighting.



Poul Henningsen

Poul Henningsen was born in Copenhagen by the famous Danish writer Agnes Henningsen. He never graduated as an architect, but studied at The Technical School at Frederiksberg, Denmark from 1911-14, and then at Technical College in Copenhagen from 1914-17.



Product info

Mounting

Cord with plug. Cord length: 12'. On/off switch provided.

Finish

Red, green, yellow and white, powder coated. Base: silk matte brown, copper.

Materials

Shades: deep drawn aluminum. Base: silk matte brown, copper.

Sizes and weight

Width x Height x Length (in.) | 13 x 17.7 x 13 Max 5.6 lbs

Compliance

cULus, Dry location.

Light source

1x10W G16.5/IF candelabra US



Related products



PH 3½-2½ Glass Table



PH 3½-3 Glass Pendant



PH 3½-2½ Floor



PH 3½-3 Pendant



PH 3½-2½ Aged Brass Floor Lamp

Product variants

Color	Light source	Voltage frequency
● Green	1x10W G16.5/IF candelabra US	120V
● Red		
○ White		
● Yellow		

Product description

Portable fixture.
Terse and iconic design.
The size of the three shades is adjusted for optimum performance and comfort.
Interior surfaces of glass shades sandblasted to diffuse light.
Interior surface of top shade in white to direct light downward.
Member of a family products of various sizes and type.
Available in four colours.

Mounting

Portable fixture plugs into standard wall outlet.

Light description

The fixture emits glare free, comfortable light.

Design

Poul Henningsen

Material

Top shade: spun aluminum, 1.5mm (0.06") thick, wet painted.
Lower shades: mouth blown white glass, 1.5mm (0.06") thick.
Struts and socket cover: cast copper, bronze finished.
Base: steel with bronze finished, copper cover.
Stem: extruded copper, bronze finished, 2.0mm (0.08") thick.
Switch: on/off, phenolic, on cord.
Socket: Porcelain, medium base for A-19, frosted envelope lamps.

Weight

Min: 5.584 lbs Max: 5.584 lbs

Finish

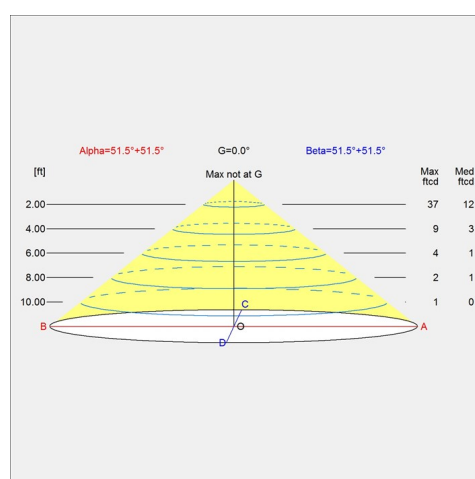
Green, Red, White, Yellow

Voltage

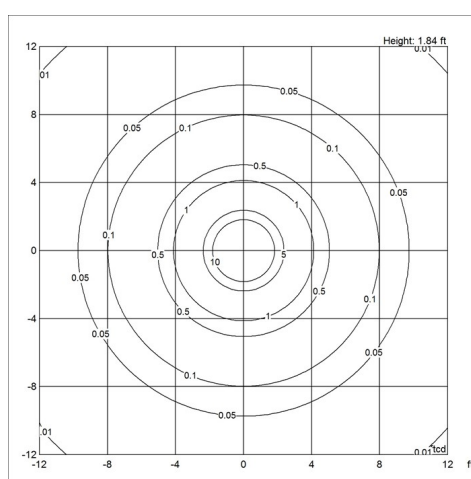
120V

Light distribution diagrams

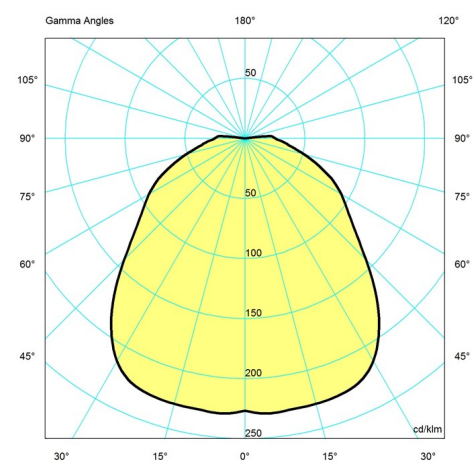
Cartesian



Isolux



Polar



Spare parts & accessories

Product

PH 3½-2½, Glass middle shade
 PH 3½-2½, Glass lower shade
 PH 3½, Red metal top shade
 PH 3½, Green metal top shade
 PH 3½, White metal top shade
 PH 3½, Yellow metal top shade

Variant number

5744162241
 5744162254
 5741095434
 5741095463
 5741095492
 5741095528