

---

# PH 3/3 PENDANT

Designed by Poul Henningsen

---



---

## Technical specifications

### Materials

Shades: Mouth-blown white opal glass or spun aluminium.

Bottom diffuser: Frosted glass.

Suspension: Aluminium.

Canopy: Aluminium.

### Finishes

Shades: White opal glass or soft -touch black-painted with white interior. Suspension: matte-black, powder-coated.

Canopy: White.

### Mounting

Canopy: White. Cord type: 2-conductor, 18 AWG black cloth-covered power cord. Cord length: 12 feet. For mounting instructions, see download section on the product detail page.

### Information

"Electrical:

System Wattage: 15W LED

Wattage: 14 W

Delivered lumens: 1,364

Efficacy: 90.9 lm/W

Certifications: cULus, Dry Location

Protection class IP20

Controllability: Phase dimming

Actual performance dependent upon screw-base lamp used." For the E-socket product variants, bulbs are not included. LED light source is part of the product.

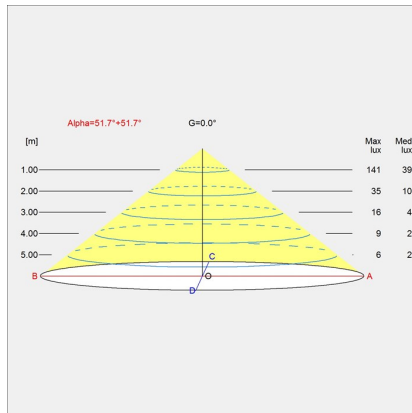
---

# PH 3/3 PENDANT

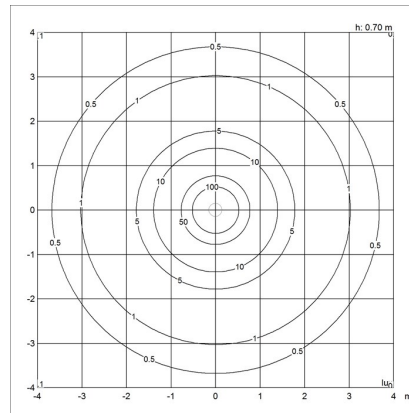
Designed by Poul Henningsen

## Light distribution diagrams

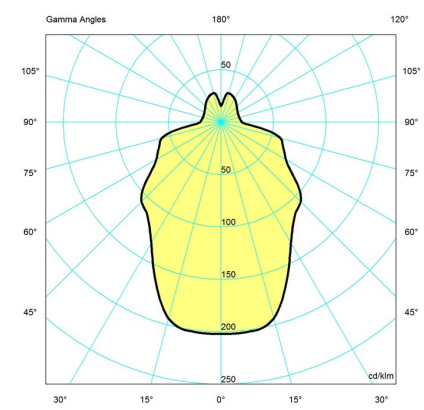
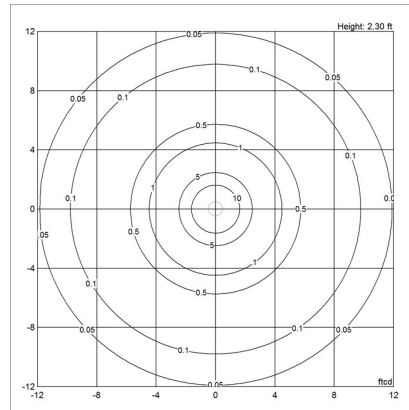
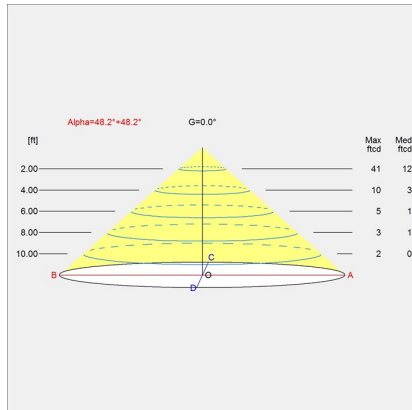
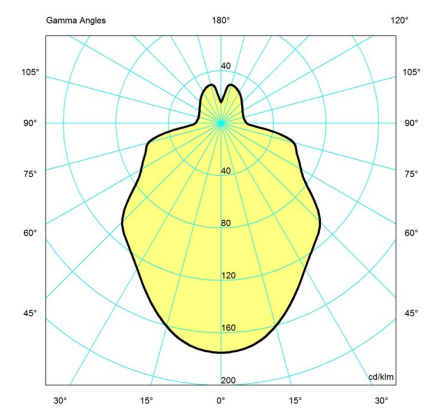
CARTESIAN



ISOLUX



POLAR



## Variant Options

For particular variant options, please check our online Product Variants Configurator on the product detail page.

VARIANT NO.	LIGHT SOURCE	VOLTAGE/FRQ	LUMEN	FEATURES	CABLE
5741940411	1x15W A-19/medium		516	-	Black fabric cord
5741940424	1x15W A-19/medium		305	-	Black fabric cord
5741940437	1x15W A-19/medium		450	-	Black fabric cord

---

# PH 3/3 PENDANT

Designed by Poul Henningsen

---

## Variants

VARIANT NUMBER	COLOR, RAL	W / H / L (IN) / W (LB)
5741940411	WHITE OPAL GLASS	11.3 / 11.8 / 11.3 IN / 4.5 LB
5741940424	METAL BLACK	11.3 / 11.8 / 11.3 IN / 3.2 LB
5741940437	METAL BLACK/OPAL GLASS	11.3 / 11.8 / 11.3 IN / 3.9 LB