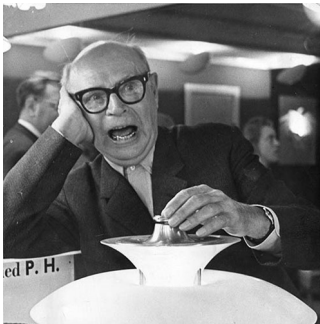


PH 3-2½ BOLLARD

The fixture is designed based on the principle of a reflective three-shade system, which directs the majority of the light downwards. The shades have a matte white painted interior surface, diffusing the light in a comfortable way.



Poul Henningsen

Poul Henningsen was born in Copenhagen by the famous Danish writer Agnes Henningsen. He never graduated as an architect, but studied at The Technical School at Frederiksberg, Denmark from 1911-14, and then at Technical College in Copenhagen from 1914-17.



Product info

Environmental Product Specification

This product is compliant with the requirements contained in the European Directives, RoHS Directive 2011/65 and 2015/863. This product is designed so that 100% of the product can be disassembled and reused.

Information

Electrical: Maximum Lamp Wattage: 60W Delivered lumens: 720 lm Efficacy: 12.0 lm/W Certifications: cULus, Wet Location Protection class IP65 IK class 05 BUG Rating: B0-U3-G1 Controllability: Phase dimming.

Mounting

Base plate dimension: 6" diameter. Base plate: Mounted to a concrete base with 3 anchor bolts on a bolt circle of 3.54" diameter. Installation: Refer to mounting instruction download for installation details.

Finish

Black, powder coated.

Materials

Top shade: Spun stainless steel. Middle/lower shade: Spun stainless steel. Shadeholder: Die formed glass. Post: Stainless steel. Base plate: Stainless steel.

Sizes and weight

Width x Height x Length (in.) | 11.7 x 35.8 x 11.7 Max 8.0 lbs

Compliance

cULus, Wet location.

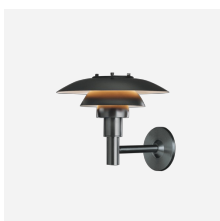
Light source

1x15W A-19/IF Medium US

Information

Electrical:
Maximum Lamp Wattage: 60W
Delivered lumens: 720 lm
Efficacy: 12.0 lm/W
Certifications:
cULus, Wet Location
Protection class IP65
IK class 05
BUG Rating: B0-U3-G1
Controllability: Phase dimming.

Related products



PH 3-2½ Wall

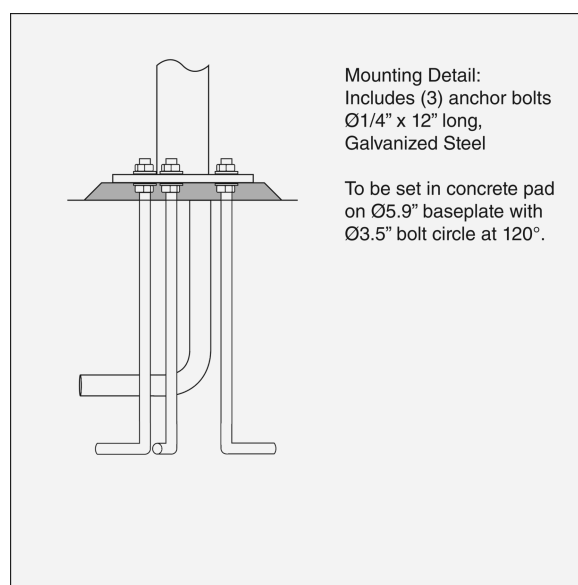
Product variants

Light source

1x15W A-19/IF Medium US

Voltage frequency

120V



Product description

This bollard utilizes Poul Henningsen's well-loved glare-free three-shade system, providing no glare. Mounted on a stepped stem, it is ideal for gardens and other applications. The shades are made of stainless steel for durability, with white painted lined surfaces to provide gentle, soft and pleasant light distribution. Light source is enclosed by a thick clear glass lens that also supports the shades. Available in a matte black finish. The PH3-2-1/2 bollard is part of a very large family of interior pendants, wall-mounted, floor and table mounted fixtures.

Mounting

Base plate dimension: 6" diameter. Base plate: Mounted to a concrete base with 3 anchor bolts on a bolt circle of 3.5" diameter. Anchor bolts to be embedded into a concrete foundation by others. Overall height of 35.8 inches.

Light description

The luminaire emits symmetrical glare-free light directed downwards and outwards, from a medium screw-base lamp (by others). The shades have a matte white painted interior surface, diffusing the light in a comfortable way. Form of the luminaire can be appreciated illuminated at night as well as during the daylight.

Design

Poul Henningsen

Material

Top shade: Spun stainless steel. Middle/lower shade: Spun stainless steel. Shadeholder: Die formed glass. Post: Stainless steel. Base plate: Stainless steel. Anchor bolts: Hot-dipped galvanized steel. Standard finish is matte, textured surface powder coat with minimum 2 mils thickness in black.

Weight

8.001

Other functions

Custom finishes. Custom pole heights. Use with an amber LED lamp for sea turtle nesting areas.

Finish

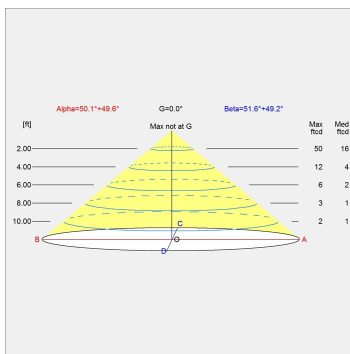
Black

Voltage

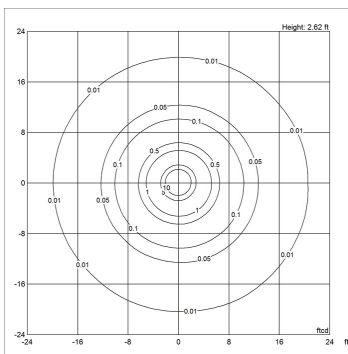
120V

Light distribution diagrams

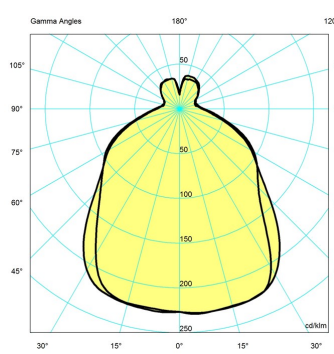
Cartesian



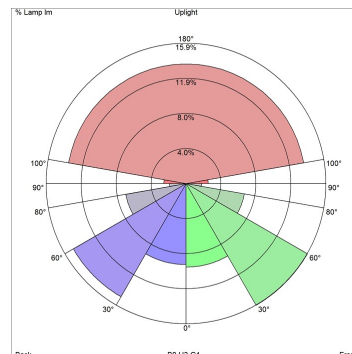
Isolux



Polar



Bug



Spare parts & accessories

Product

- PH 3-2½ Bollard/Wall, 3 x black top screws
- PH 3-2½ Bollard/Wal glass
- PH3-2½ BOL./TOLBOD BOL.EARTH ANCHOR NEW

Variant number

- 5747293405
- 5747293418
- 5747293696