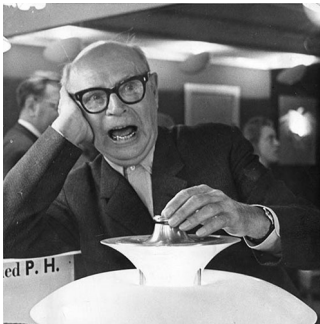


PH 3/2 WALL

The fixture is designed based on the principle of a reflective three-shade system, which directs the majority of the light downwards. The shades are made of mouth-blown opal three-layer glass, which is shiny on the top and sandblasted matte on the inside, giving a soft and diffuse light distribution.



Poul Henningsen

Poul Henningsen was born in Copenhagen by the famous Danish writer Agnes Henningsen. He never graduated as an architect, but studied at The Technical School at Frederiksberg, Denmark from 1911-14, and then at Technical College in Copenhagen from 1914-17.



Product info

Information

Electrical: System Wattage: 10W LED Wattage: 9 W Delivered lumens: 292 Efficacy: 29.2 lm/W Certifications: cULus, Dry Location Protection class IP20 Controllability: Phase dimming Actual performance dependent upon screw-base lamp used.

Mounting

Surface: Mounted directly to finished surface over a 4" octagonal junction-box. Switch: On/off switch on the wall plate.

Finish

White opal glass. High lustre chrome plated.

Materials

Shades: Handblown white opal glass. Wall box: High lustre chrome plated, spun brass. Suspension: High lustre chrome plated, spun aluminum. Arm: High lustre chrome plated, brass.

Sizes and weight

Width x Height x Length (in.) | 7.9 x 6.5 x 11.7 Max 6.8 lbs

Compliance

cULus, Dry location.

Light source

1x10W E12

Information

Electrical: System Wattage: 10W LED Wattage: 9 W Delivered lumens: 292 Efficacy: 29.2 lm/W Certifications: cULus, Dry Location Protection class IP20 Controllability: Phase dimming Actual performance dependent upon screw-base lamp used.



Related products



PH 3/2 Glass Table



PH 3/2 Pendant



PH 3/2 Aged Brass Table
Lamp

Product variants

Light source

1x10W E12

Product description

PH 3/2 wall is one of the iconic fixtures recognized throughout the world. It is a small-scale pendant of gently sloped glass shades with a lustrous metal socket housing on top. The iconic design is based on the principle of a reflective three-shade system, which directs the majority of the light downwards. The shades are made of handblown, opal white, three-layer glass, which is glossy on top and sandblasted matte on the underside, giving a soft and uniform light distribution. Part of a family including indoor and outdoor products.

Mounting

Mounted directly to finished surface over a 4" octagonal junction-box. Switch: On/off switch on the wall plate.

Light description

Light distribution is mostly downward with the glass shades casting a soft glow horizontally and upwards. The curvature of the shades and their positions limit the direct view of the lamp to reducing glare. Provided with a candelabra base socket for the customer to provide their desired lamp.

Design

Poul Henningsen

Material

Shades: Handblown white opal glass. Wall box: High lustre chrome plated, spun brass. Suspension: High lustre chrome plated, spun aluminum. Arm: High lustre chrome plated, brass.

Weight

6.795

Other functions

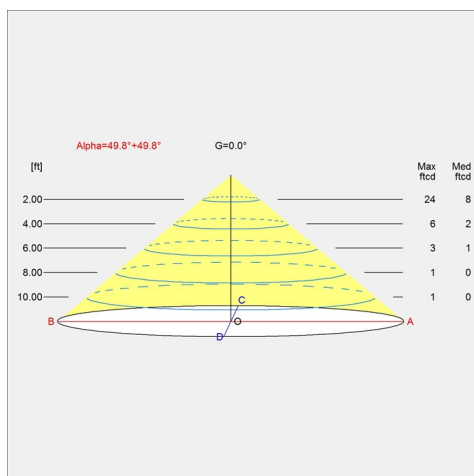
Available without switch on wall box.

Finish

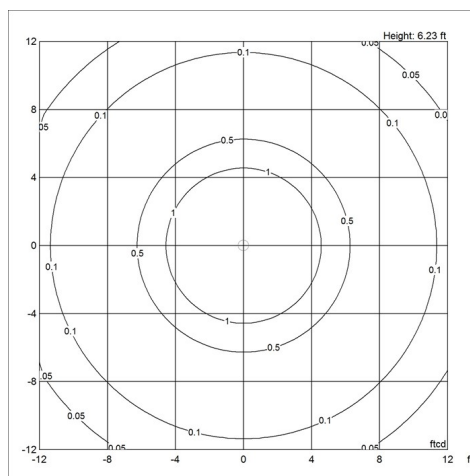
White opal glass

Light distribution diagrams

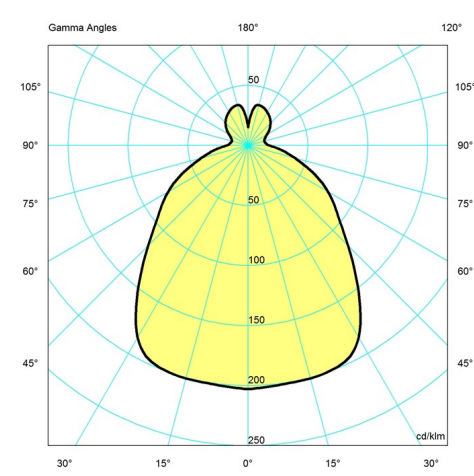
Cartesian



Isolux



Polar



Spare parts & accessories

Product	Variant number
PH 3/2 middle shade glass	5741481598
PH 3/2 lower shade glass	5741481608
PH 3/2 Table/Wall top shade glass	5741481585