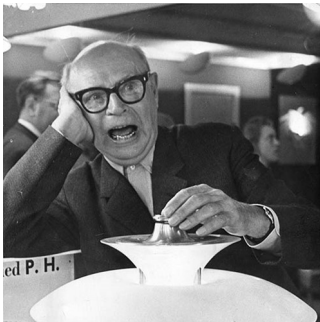


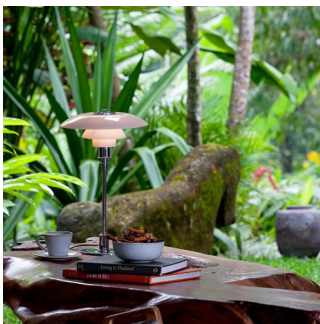
# PH 3/2 GLASS TABLE

The fixture is designed based on the principle of a reflective three-shade system, which directs the majority of the light downwards. The shades are made of hand blown opal three-layer glass, which is glossy on top and sandblasted matte on the underside, giving a soft and diffused light distribution.



## Poul Henningsen

Poul Henningsen was born in Copenhagen by the famous Danish writer Agnes Henningsen. He never graduated as an architect, but studied at The Technical School at Frederiksberg, Denmark from 1911-14, and then at Technical College in Copenhagen from 1914-17.



## American Heart Institute

## Product info

### Mounting

Cord with plug. Cord length: 10'. On/off switch provided.

### Finish

Black metalized or high lustre chrome plated. White opal glass.

### Materials

Base: Black metalized or high lustre chrome plated, brass. Shades: Hand blown white opal glass. Top plate: Black metalized or high lustre chrome plated, spun brass. Stem: Black metalized or high lustre chrome plated, brass.

### Sizes and weight

Width x Height x Length (in.) | 11.4 x 18.6 x 11.4 Max 6.6 lbs

### Compliance

cULus, Dry location.

### Light source

1x10W G16.5/candelabra



## Related products



PH 3/2 Pendant



PH 3/2 Wall



PH 3/2 Aged Brass Table Lamp

## Product variants

Color	Cable type	Light source	Voltage frequency
● Black metallised	Black cord	1x10W G16.5/candelabra	120V
● Brass metallised	White cord		
● High lustre chrome plated			

# Product description

Portable fixture.  
Terse and iconic design.  
The size of the three shades is adjusted for optimum performance and comfort.  
Interior surfaces of glass shades sandblasted to diffuse light.  
Member of a family products of various sizes and type.

---

## Mounting

Portable fixture plugs into standard wall outlet.

---

## Light description

The fixture emits glare free, comfortable light.

---

## Design

Poul Henningsen

---

## Material

Shades: mouth blown white glass, 1.5mm (0.06") thick.  
Struts: chrome plated steel.  
Base: steel with black or silver chrome-plated brass cover.  
Stem: extruded steel, black or silver chrome plated, 1.5mm (0.06") thick.  
Switch: on/off, phenolic, on base.  
Socket: phenolic, candelabra base for G16.5, frosted envelope lamps.

---

## Weight

Min: 6.548 lbs Max: 6.629 lbs

---

## Finish

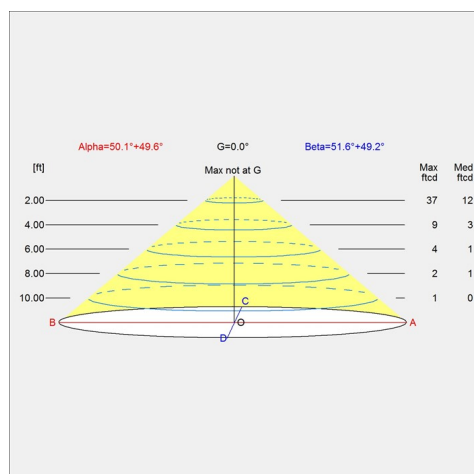
Black metallised, Brass metallised, High lustre chrome plated

## Voltage

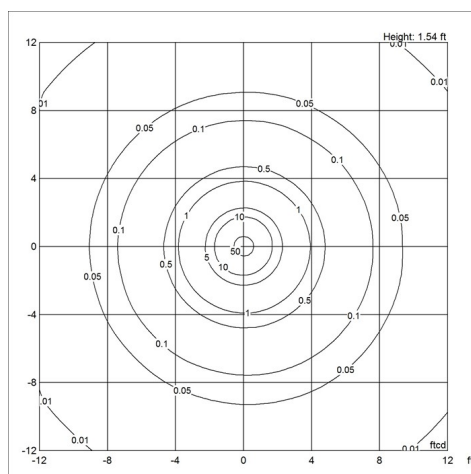
120V

# Light distribution diagrams

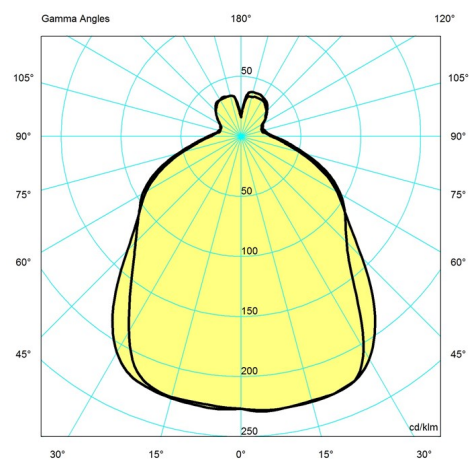
## Cartesian



## Isolux



## Polar



## Spare parts & accessories

### Product

PH 3/2 middle shade glass  
 PH 3/2 lower shade glass  
 PH 3/2 Table/Wall top shade glass  
 Finger screw SS M3X12 (3pcs) lower  
 Finger screw SS M2X8 (3pcs) middle  
 Finger screw brass raw M2X8 (3pcs)middle  
 Finger screw brass raw M3X12 (3pcs)lower

### Variant number

5741481598  
 5741481608  
 5741481585  
 5744610528  
 5744611116  
 5744611271  
 5744611284