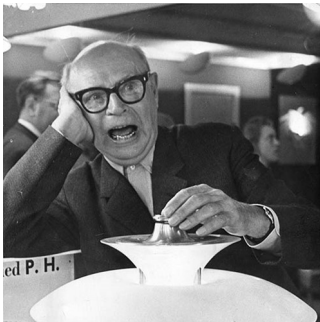


PH 2/1 TABLE

The fixture provides soft lighting. PH 2/1 is designed on the principle of a reflecting multi-shade system, creating harmonious and glare-free lighting. The shade design is based on a logarithmic spiral, with the center of the light source placed in the spiral's focal point.



Poul Henningsen

Poul Henningsen was born in Copenhagen by the famous Danish writer Agnes Henningsen. He never graduated as an architect, but studied at The Technical School at Frederiksberg, Denmark from 1911-14, and then at Technical College in Copenhagen from 1914-17.



Private residence, Sipoo



Vinbar Ved Stranden

Product info

Mounting

Cord with plug. Cord length: 10'. On/off switch provided.

Finish

Brass metallized, black metallized or high lustre chrome plated. White opal glass.

Materials

Shades: Hand-blown white opal glass. Top plate: Brass metallized, black metallized or high lustre chrome plated, machined brass. Base and stem: Brass metallized, black metallized or high lustre chrome plated, brass.

Sizes and weight

Width x Height x Length (in.) | 7.9 x 14 x 7.9 Max 3.4 lbs

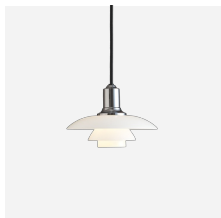
Compliance

cULus, Dry location.

Light source

1x4W T-4 G9

Related products



PH 2/1 Pendant



PH 2/1 Stem Fitting



PH 2/1 Wall



PH 2/1 Aged Brass Table
Lamp

Product variants

Color	Cable type	Light source	Voltage frequency
<input checked="" type="radio"/> Black metallised	Black cord	1x4W T-4 G9	120V
<input type="radio"/> Brass metallised	White cord		
<input type="radio"/> High lustre chrome plated			

Design

Poul Henningsen

Weight

Min: 3.419 lbs Max: 3.422 lbs

Finish

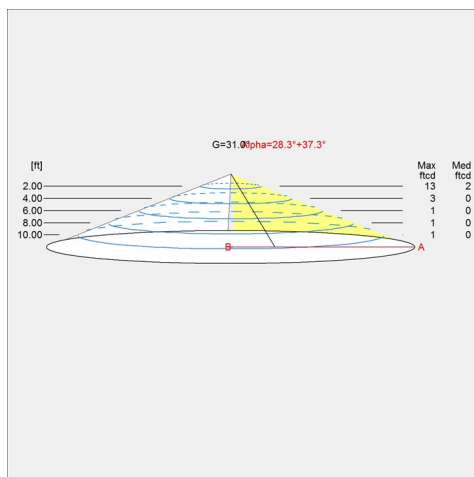
Black metallised, Brass metallised, High lustre chrome plated

Voltage

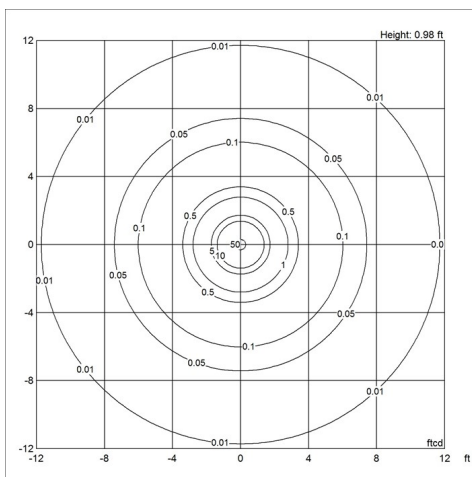
120V

Light distribution diagrams

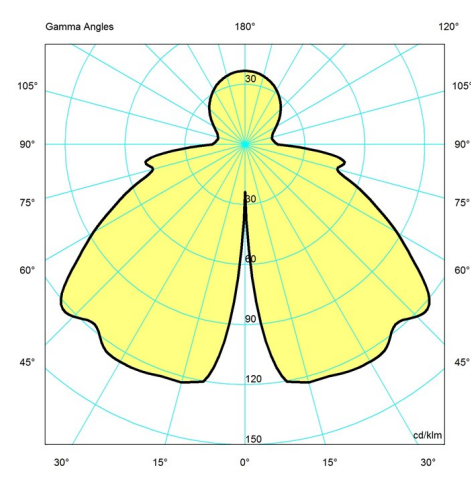
Cartesian



Isolux



Polar



Spare parts & accessories

Product	Variant number
PH 2/1 middle shade glass	5741084940
PH 2/1 lower shade glass	5741084953
PH 2/1 top shade glass Table/Wall	5741084937
PH 2/1 Table diffuser glass	5744164317
PH 2/1 Table, Chrome plated shadeholder	5744164320
PH 2/1 Table, Black metallised shadeholder	5744164333
PH 2/1 Table, Brass metallised shadeholder	5744164362
PH 2/1 Table, Amber lower shade	5744169396
PH 2/1 Table, Amber middle shade	5744169406
PH 2/1 Table, Amber top shade	5744169419