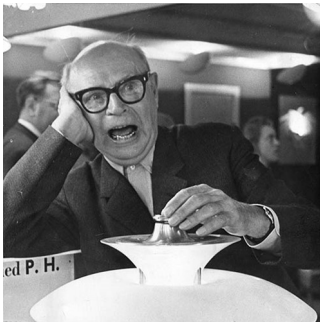


PH 2/1 PENDANT

The fixture design is based on the principle of a reflective three-shade system, which directs the majority of the light downwards. The shades are made of hand-blown, opal, three-layer glass, which is glossy on top and sandblasted matte on the underside, giving a soft and uniform light distribution.



Poul Henningsen

Poul Henningsen was born in Copenhagen by the famous Danish writer Agnes Henningsen. He never graduated as an architect, but studied at The Technical School at Frederiksberg, Denmark from 1911-14, and then at Technical College in Copenhagen from 1914-17.



Product info

Information

Electrical: System Wattage: 10W LED Wattage: 9 W Delivered lumens: 286 Efficacy: 28.6 lm/W Certifications: cULus, Dry Location Protection class IP20 Controllability: Phase dimming Actual performance dependent upon screw-base lamp used.

Mounting

Canopy: White. Cord type: 3-conductor, 18 AWG black PVC power cord. Cord length: 12'.

Finish

Black metalized or high lustre chrome plated. White opal glass.

Materials

Shades: Handblown white opal glass (sandblasted on the undersides for uniform light distribution). Suspension: Black metalized or high lustre chrome plated, spun aluminum.

Sizes and weight

Width x Height x Length (in.) | 7.9 x 5.5 x 7.9 Max 2.1 lbs

Compliance

cULus, Dry location.

Light source

1x20W G16.5/IF Candelabra US

Information

Electrical:
System Wattage: 10W
LED Wattage: 9 W
Delivered lumens: 286
Efficacy: 28.6 lm/W
Certifications:
cULus, Dry Location
Protection class IP20
Controllability: Phase dimming
Actual performance dependent upon screw-base lamp used.



Related products



PH 2/1 Stem Fitting



PH 2/1 Wall



PH 2/1 Table



PH 2/1 Aged Brass Table Lamp

Product variants

Color	Cable type	Light source	Voltage frequency
<input checked="" type="radio"/> Black metallised	Black fabric cord	1x20W G16.5/IF Candelabra US	120V
<input type="radio"/> Brass metallised	White fabric cord		
<input type="radio"/> High lustre chrome plated			

Product description

PH 2/1 pendant is one of the iconic fixtures recognized throughout the world. It is a small-scale pendant of gently sloped glass shades with a lustrous metal socket housing on top. The iconic design is based on the principle of a reflective three-shade system, which directs the majority of the light downwards. The shades are made of handblown, opal white, three-layer glass, which is glossy on top and sandblasted matte on the underside, giving a soft and uniform light distribution. The socket housing is available in three finishes of chrome, metalized black, and metalized brass. Part of a family including indoor and outdoor products.

Mounting

Mounts onto a 4 inch octagonal outlet box. Canopy: White for all pendants, flat cone profile, 5.3 IN diameter x 1 IN tall. Cord type: 3-conductor, 18 AWG fabric-covered power cord. Brass pendant has white cord, chrome and black pendants have black cord. Cord length: 12 feet.

Light description

Light distribution is mostly downward with the glass shades casting a soft glow horizontally and upwards. The curvature of the shades and their positions limit the direct view of the lamp to reducing glare. Provided with a candelabra base socket for the customer to provide their desired lamp.

Design

Poul Henningsen

Material

Glass shades are three-layered, glossy, opal white, handblown glass 0.2 IN thick with sandblasted inner surfaces. Socket housing is spun aluminum 0.02 IN thick. Socket is phenolic. Shade holder is steel. Canopy is spun aluminum, 0.03 IN thick. Finish is high lustre chrome plating or metalized black or brass. Black metalized, Brass metalized, High lustre chrome plated

Weight

Min: 2.132 lbs Max: 2.132 lbs

Other functions

Longer cord lengths.

Finish

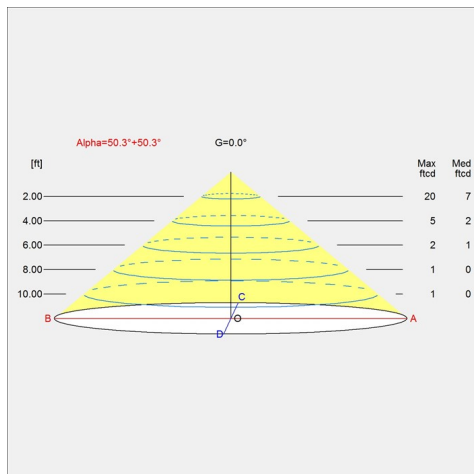
Black metallised, Brass metallised, High lustre chrome plated

Voltage

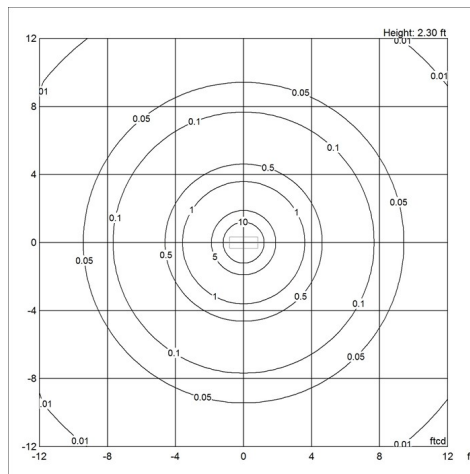
120V

Light distribution diagrams

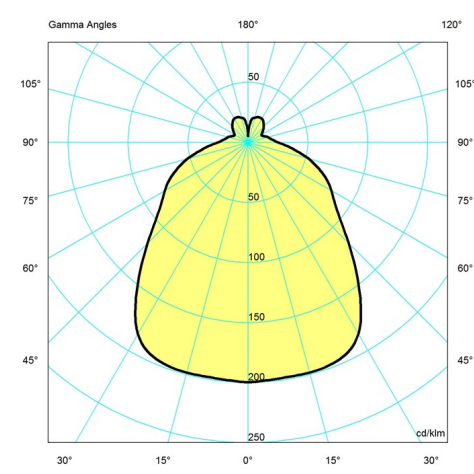
Cartesian



Isolux



Polar



Spare parts & accessories

Product	Variant number
Canopy White 2-part tophat @	5749329034
PH 2/1 middle shade glass	5741084940
PH 2/1 lower shade glass	5741084953
PH 2/1 Table, springholder w/springs	5741086333
Canopy Black 2-part tophat@	5749329021
Small canopy, white	S0771
Small canopy, black	10000018378
PH 2/1 Table, top shade glass Pendant	5741084898

