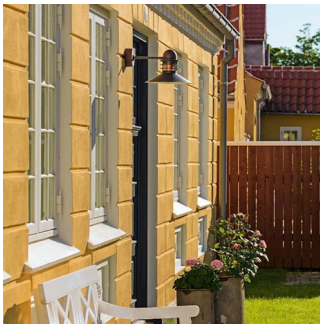
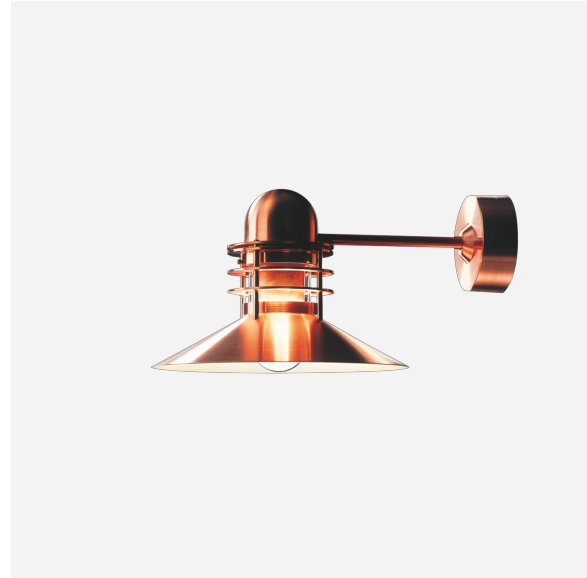


NYHAVN WALL

The conical shade ensures comfortable light that is directed downwards in a wide beam. The shade interior has a white matte painted surface, ensuring uniform light distribution. The rings ensure that a stray light is controlled, and direct a small amount of light onto the top side of the shade for self-illumination.



Skagen



Fuchu City Junior High School No. 3

Product info

Environmental Product Specification

This product is compliant with the requirements contained in the European Directives, RoHS Directive 2011/65 and 2015/863. This product is designed so that 100% of the product can be disassembled and reused.

Information

Electrical: System Wattage: 15 W Delivered lumens: 1,239 lm Efficacy: 82.6 lm/W Certifications: cULus, Wet Location Protection class IP44 BUG Rating: B1-U2-G0 Controllability: Phase dimming Min.-Max. Ambient Temp: -20°C to +40°C Actual performance dependent upon screw-base lamp used.

Mounting

Surface: Mounted directly to finished surface over a recessed 4" octagonal junction box.

Finish

Copper, brushed or white, wet painted.

Materials

Shades: Spun aluminum or spun copper. Diffuser: Clear glass. Top: Spun aluminum or spun copper. Mounting box: Die cast aluminum. Mounting box cover: Spun aluminum or spun copper. Arm: Copper plated, red brass or steel.

Sizes and weight

Width x Height x Length (in.) | 12.2 x 8.4 x 18.5 Max 10.3 lbs

Compliance

cULus, Wet location.

Light source

1x15W A-19/medium

Information

Electrical:

System Wattage: 15 W

Delivered lumens: 1,239 lm

Efficacy: 82.6 lm/W

Certifications:

cULus, Wet Location

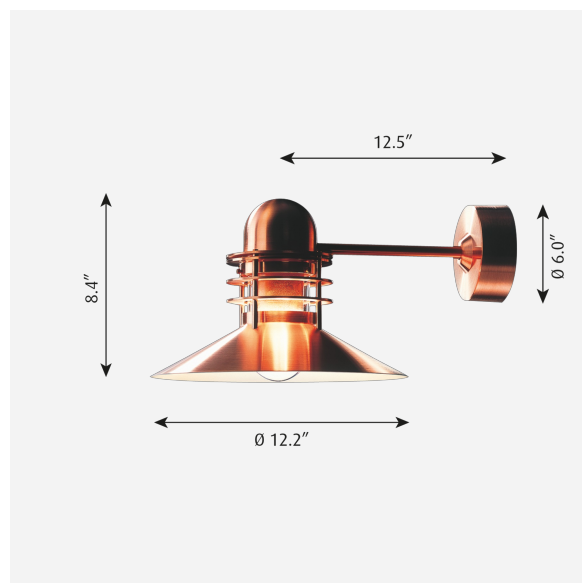
Protection class IP44

BUG Rating: B1-U2-G0

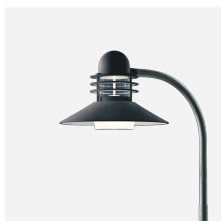
Controllability: Phase dimming

Min.-Max. Ambient Temp: -20°C to +40°C

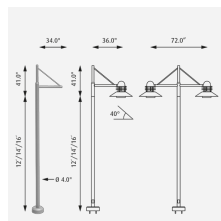
Actual performance dependent upon screw-base lamp used.



Related products



Nyhavn Park Post



Nyhavn Park Pole

Product variants

Color	Light source	Voltage frequency
<input checked="" type="radio"/> Brushed copper	1x15W A-19/medium	120V
<input type="radio"/> White		

Product description

Well-proportioned compact outdoor wall luminaire comprising of domed top, a vertical column with three rings, and large conical shade. The shade and lower diffuser ensures comfortable downward light in a wide distribution. The small rings surround a clear cylinder that emits light. The rings are carefully designed to avoid striped shadows, controlling glare while illuminating the top of the conical shade. The shade interior has a white matted painted surface, ensuring uniform light distribution. Copper variant is untreated and will patina over time. The Nyhavn Wall is part of a product family which includes a larger area post top.

Mounting

Surface: Anchored directly to the wall, centered over junction box. Three mounting holes 0.2 IN diameter on bolt circle 4.9 IN diameter at 120°. Mounting hardware by others.

Light description

The luminaire emits symmetrical glare-free light directed downwards and outwards, from a screw-base lamp (by others). The shades have a matte white painted interior surface, diffusing the light in a comfortable way. Form of the luminaire can be appreciated illuminated at night as well as during the daylight.

Design

Alfred Homann & Ole V. Kjær

Material

Shades: Spun aluminum or spun copper, 0.04" thick. Diffuser: Clear glass, 0.1" thick. Top: Spun aluminum or spun copper, 0.04" thick. Mounting box: Die cast aluminum, 0.08" thick. Mounting box cover: Spun aluminum or spun copper, .05" thick. Arm: Copper-plated red brass or steel, 0.06" thick. White variant standard finish is matte, textured surface powder coat with minimum 2 mils thickness in white. Copper variant is untreated, brushed copper that develops a patina over time. Copper shades have white finished interiors.

Weight

Min: 10.313 lbs Max: 7.242 lbs

Other functions

Custom finishes. Custom wall brackets.

Finish

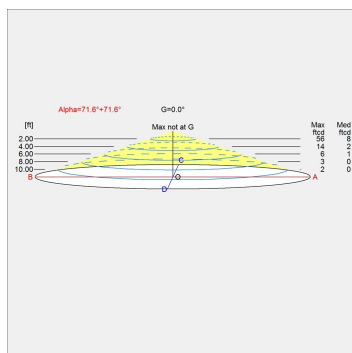
Brushed copper, White

Voltage

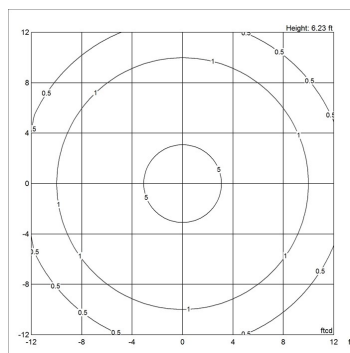
120V

Light distribution diagrams

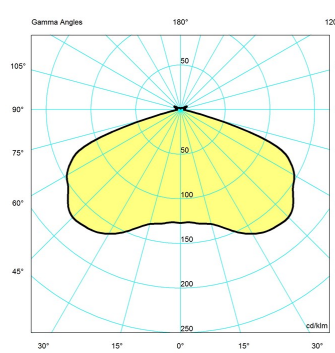
Cartesian



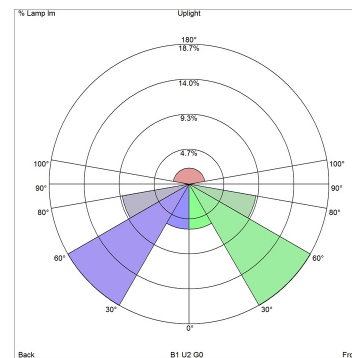
Isolux



Polar



Bug



Spare parts & accessories

Product

Nyhavn Wall glass, clear
 Nyhavn Wall Glass, partly frosted
 Nyhavn screw for glass
 Nyhavn Wall/Pendant gasket

Variant number

5743590513
 5743590526
 5743590539
 5743590555