

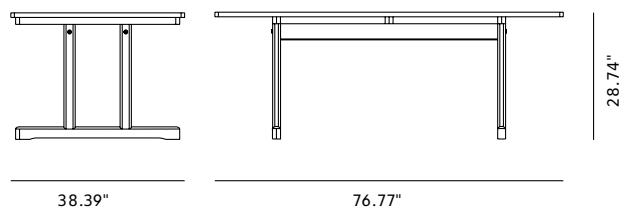
Mogensen 6286 Table

By Børge Mogensen, 1964

| | |
|----------------------|---|
| Model | 6286 - Dining table |
| About | Mogensen's iconic Shaker table in solid oak was designed in 1964, with premium selection solid oak being its highlight. Available with additional plates extending the table top by 40 cm at each end. |
| Product group | Tables |
| Measurements | 38.39" W x 76.77" L x 28.74" H |
| Weight | 56 kg |
| Materials | Legs and table top in solid wood. Leg gables mounted with a visible brass screw. Table top of hardwood staves that run the entire length of the table. |
| Accessories | Additional leaf (0286 - Black lacquered) |
| Guarantee | Fredericia Furniture A/S offers a 7 year guarantee against manufacturing defects in standard products (materials and construction). Wear and damage to covers, surface treatment, inappropriate use and the like are not covered by the warranty. |
| Download | Click here to download images, architect files at our partner portal. |



DRAWING



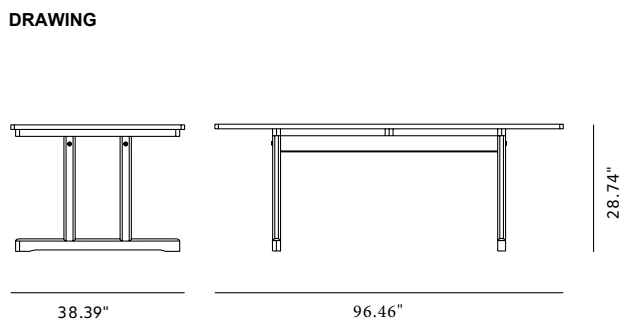
WOOD





Mogensen 6386 Table By

Børge Mogensen, 1964

| | |
|----------------------|---|
| Model | 6386 - Dining table |
| About | Mogensen's iconic Shaker table in solid oak was designed in 1964, with premium selection solid oak being its highlight. Available with additional plates extending the table top by 40 cm at each end. |
| Product group | Tables |
| Measurements | 38.39" W x 96.46" L x 28.74" H |
| Weight | 56 kg |
| Materials | Legs and table top in solid wood. Leg gables mounted with a visible brass screw. Table top of hardwood staves that run the entire length of the table. |
| Accessories | Additional leaf (0286 - Black lacquered) |
| Guarantee | Fredericia Furniture A/S offers a 7 year guarantee against manufacturing defects in standard products (materials and construction). Wear and damage to covers, surface treatment, inappropriate use and the like are not covered by the warranty. |
| Download | Click here to download images, architect files at our partner portal. |



WOOD

| | | | |
|---|--|---|---|
|  |  |  |  |
| OAK LACQUERED | OAK LIGHT OIL | OAK OIL | OAK SOAP |
| | | | |
|  | | | |
| SMOKED OAK, OLIED | | | |