

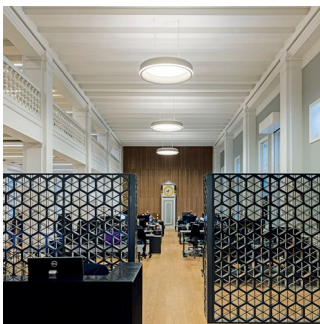
LP GRAND SUSPENDED

The circular luminaire emits a combination of softly diffused, glare-free, downwardly directed light and reflected indirect light from its curved upper rings. A large angled reflector encircles the diffuser and reduces the contrast around the edge. The top reflector is perfectly curved to distribute uplight at a broad angle. A colored outer shade surrounds the reflector and creates an interreflection of light, resulting in a graceful glow on the outside of the top and bottom reflectors. In total, it creates four rings of light surrounding the central diffuser.



Christian Flindt

Christian Flindt (1972-) graduated with an MAA and MDD from Aarhus School of Architecture in 2002. He then started his own design company in 2003. Here, he placed high emphasis on communication between people, and his focus on this area finds expression in his approach to re-evaluating furniture.



Momondo



Nauta Dutilh

Product info

Environmental Product Specification

This product is compliant with the requirements contained in the European Directives, RoHS Directive 2011/65 and 2015/863. This product is designed so that 100% of the product can be disassembled and reused.

Information

Electrical: System Wattage: 12W, 60W, 113W or 200W LED Wattage: 10W, 55W, 108W or 184W Delivered lumens: 1,052 - 22,529 Efficacy: 88 lm/W - 112.6 lm/W Certifications: cULus, Damp Location Protection class IP20 Controllability: 0-10V Dimming all sizes; Phase dimming on 12.6" size Color Rendering: Ra≥90

Mounting

Ø320: Suspension type: 3x stainless steel aircraft-cable. Suspension length: 12 ft. Canopy: White. Cord type: 5 conductor, 18 AWG white PVC power cord. Ø580: Suspension type: 3x stainless steel aircraft-cable. Suspension length: 12 ft. Canopy: White. Cable & Wire length: 4 m. Cord type: 5 conductor, 18 AWG white PVC power cord. Ø880: Suspension type: 3x stainless steel aircraft-cable. Suspension length: 12 ft. Canopy: White. Cable & Wire length: 4 m. Cord type: 5 conductor, 18 AWG white PVC power cord. Ø1480: Suspension type: 4x stainless steel aircraft-cable. Suspension length: 12 ft. Canopy: White. Cable & Wire length: 4 m. Cord type: 2x5 conductor, 18 AWG white PVC power cord.

Finish

Reflector: Matte-white satin finish. Outer shade (outside): Matte (black and champagne) or gloss (white). Wet-painted surface. Diffuser: Glossy.

Materials

Ø320: Top reflector: ABS. Bottom reflector: ABS. Outer shade: ABS. Diffusor: PMMA. Housing: Die-cast Aluminum. Ø580: Top reflector: ABS. Bottom reflector: PE. Outer shade: ABS. Diffusor: PMMA. Housing: ABS. Ø880: Top reflector: PE. Bottom reflector: PE. Outer shade: ABS. Diffusor: PMMA. Housing: ABS. Ø1480: Top reflector: PE. Bottom reflector: PE. Outer shade: ABS. Diffusor: PMMA. Housing: ABS.

Sizes and weight

Width x Height x Length (in.) | 22.8 x 6.3 x 22.8 Max 15.4 lbs | 34.6 x 7.9 x 34.6 Max 38.2 lbs | 58.3 x 10.2 x 58.3 Max 102.8 lbs | 12.6 x 3.5 x 12.6 Max 5.6 lbs

Compliance

cULus, Damp location.

Specification notes

a. 22.8 IN size available only in 60W. b. 34.6 IN size available only in 114W. c. 58.3 IN size available only in 200W.

Light source

LED 2700K 12W
Lumen: 1052

Information

Electrical:
System Wattage: 12W, 60W, 113W or 200W
LED Wattage: 10W, 55W, 108W or 184W
Delivered lumens: 1,052 - 22,529
Efficacy: 88 lm/W - 112.6 lm/W
Certifications:
cULus, Damp Location
Protection class IP20
Controllability: 0-10V Dimming all sizes; Phase dimming on 12.6" size
Color Rendering: Ra≥90



Related products



Product variants

Dimension	Color	Light source	Lumen	Voltage frequency	Class	Lighting control
LP Grand Surface 12.6 IN	LP Grand Wall ● Black	LED 2700K 12W	1052	120-277V/60HZ	-	Dim 0-10v
22.8 IN	● Champagne	LED 3000K 114W	11171		I	Phase+dim 0-10v
34.6 IN	○ White	LED 3000K 12W	1151			
58.3 IN		LED 3000K 200W	11573			
		LED 3000K 60W	1166			
		LED 3500K 114W	21747			
		LED 3500K 200W	22529			
		LED 3500K 60W	5463			
		LED 4000K 12W	5659			

Product description

A series of circular luminaires scaling from moderate to very large diameters while maintaining short heights. LP Grand is perceived as a set of coinciding rings based around a diffused plane of light. A large angled reflector circumferences the diffuser and reduces the contrast around the edge. A revolved top reflector is perfectly curved to distribute uplight in a wide angle. A colored outer band creates an interreflection of light resulting in a graceful glow of light on the outside of the top and bottom reflector. In total, it creates four rings of light surrounding the central diffuser. Part of a family with a range of sizes and mounting options.

Mounting

To be mounted over a 4" octagonal outlet box. Load-bearing anchors & screws provided by others. Small and medium sized products have canopies composed of 2 flat circular plates, painted white, to allow for strong anchoring and proper management of the three suspension wires. The 22.8 IN pendant canopy plate is 13.4 inches diameter. The 34.6 IN pendant canopy plate is 22.9 inches diameter. The 58.3 IN pendant foregoes the large plates in place of two smaller, 5 inch outlet box covers while allowing the suspension wires to be attached directly onto the building support. Gripper-style holders for easy leveling. The small and medium sizes have a single power cord while the largest size has two separate cords for powering the uplight and downlight circuits separately. Electronic class II drivers for 120-277V operation and synchronous 0-10V dimming control integral to fixture.

Light description

Very wide, mostly downward light distribution from the flat bottom diffusing lens. Careful design of LED positioning and modern diffusing materials maximize light transmission while eliminating hot spots and glare. The interaction of light and shadow between the inner and outer rings creates a sense of depth while providing a gentle transition from the space to the illuminated diffuser. Standard CCT in 3000K or 3500K, controlled by electronic driver.

Design

Christian Flindt

Material

Outer ring, top and bottom reflectors are high quality polycarbonate materials of ABS thermoplastic, polyethylene, and/or polyurethane depending upon the pendant size. Components are thin-walled and contoured to provide rigidity while reducing weight. Materials are UV resistant to prevent fading. Diffusers of white acrylic formulated for high light transmission and diffusion. Internal framing of .06" thick aluminum. Mounting plates 0.6" thick steel. Cable: white PVC coated, 5-conductor, 18 AWG. Three 0.06 IN stainless steel aircraft-type wires. Canopy plates with matte white powder coat of minimum 2 mils thickness. Outer ring is wet painted. Blk, Champagne, Wht

Weight

Min: 102.784 lbs Max: 5.6 lbs

Dimensions

12.6 IN, 22.8 IN, 34.6 IN, 58.3 IN

Other functions

Alternative finishes. LED in 2700K and 4000K. Alternative dimming controls. Dual circuit wiring for separate uplight / downlight control. Downlight-only distribution. Tunable white LED system.

Finish

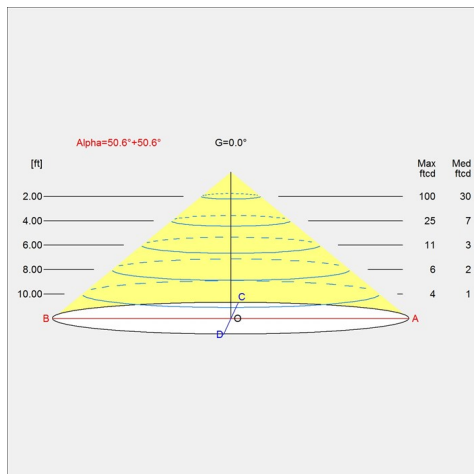
Black, Champagne, White

Voltage

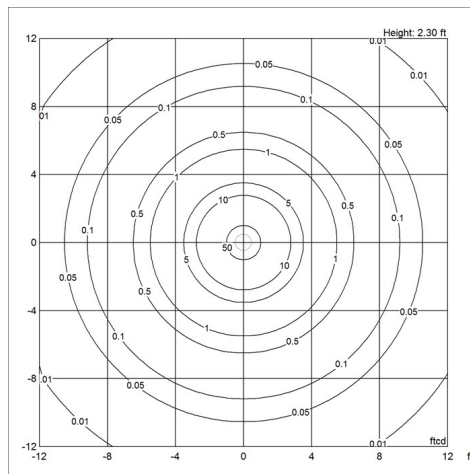
120-277V/60HZ

Light distribution diagrams

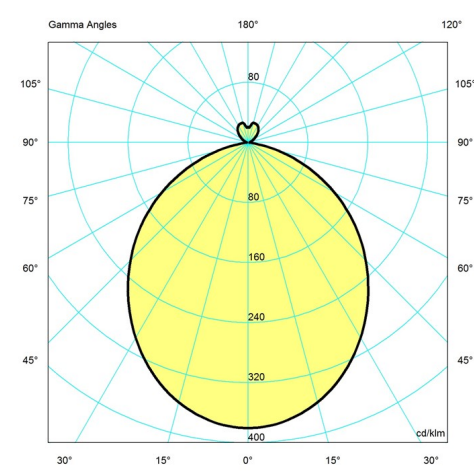
Cartesian



Isolux



Polar



Spare parts & accessories

LP Grand Suspended

Product	Variant number
LP Grand Ø580 replacement kit LED 35K UPL	5741913448
LP Grand Ø880 replacement kit LED 35K UPL	5741913451
LP Grand Ø1480 replacement kit LED 35K UP	5741913464
LP Grand Ø580 replacement kit LED 35K90	5741918524
LP Grand Ø880 replacement kit LED 35K90	5741918537
LP Grand Ø1480 replacement kit LED 35K90	5741918540
LP Grand Ø320, front part with diffuser	5741108729
LP Grand Ø320 wire set (3 pieces)	5741108732
LP Grand Ø320 fingernut for canopy (3 pieces)	5741108745