

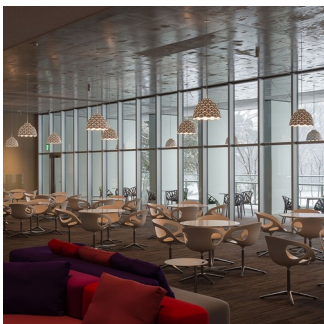
LC SHUTTERS

The fixture emits a primarily downward illumination. The perforated pattern on the shade provides a soft illumination around the fixture. Meanwhile, the perforation helps lighten up the surface of the shade in a decorative way, when it is turned on, thereby maintaining the contour of the fixture, whether it is on or off. The light source is surrounded by an opal diffuser, which ensures that the fixture is 100% glare-free. And finally, the shape of the diffuser allows a beautiful view into the fixture.



Louise Campbell

Louise Campbell was born in Copenhagen in 1970. Being the daughter of a Danish father and an English mother, she grew up and was educated in both countries. After graduating from the London College of Furniture in 1992, she returned to Denmark and continued her studies in Industrial Design at Denmark's Design School, graduating from here in 1995.



Yokohama College of Dental Care and Health Sciences

Product info

Information

Electrical: System Wattage: 15W Delivered lumens: 1,521 Efficacy: 101 lm/W Certifications: cULus, Damp Location Protection class IP20 Controllability: Phase dimming Actual performance dependent upon screw-base lamp used.

Mounting

Cord type: 2-conductor, 18 AWG white PVC power cord. Canopy: White. Cord length: 12'.

Finish

White, powder coated.

Materials

Shade: Spun aluminum, punched and embossed. Suspension: Die cast aluminum. Diffuser ball: handblown matte white opal glass.

Sizes and weight

Width x Height x Length (in.) | 17.3 x 11.8 x 17.3 Max 8.7 lbs

Compliance

cULus, Damp location.

Light source

1x15W E26

Information

Electrical:

System Wattage: 15W

Delivered lumens: 1,521

Efficacy: 101 lm/W

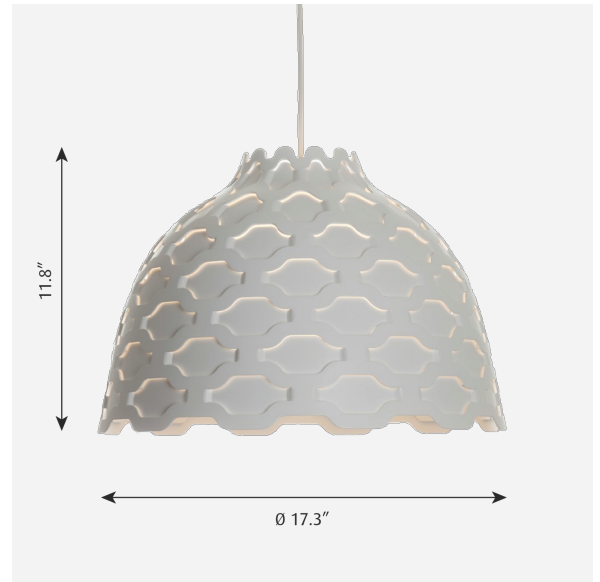
Certifications:

cULus, Damp Location

Protection class IP20

Controllability: Phase dimming

Actual performance dependent upon screw-base lamp used.



Product variants

Light source	Voltage frequency
1x15W E26	120V

Product description

LC Shutters pendant emits light primarily downward from the bell-shaped shade. The shade pattern is cut and pressed to form two interactive layers, through which the light is emitted in a high-precision pattern. The thick shade ensures a very solid fixture, suitable for applications ranging from children's rooms to executive areas.

Mounting

Can be mounted on 4" octagonal junction box (USA only)

Light description

The fixture emits diffuse light directed primarily downwards. LC Shutters pendant is provided with a medium socket allowing the user to select the color temperature, or install a wirelessly-controlled lamp.

Design

Louise Campbell

Material

Shade: spun aluminium, 3mm (0.12") thick, white powder coated.
Inner diffuser: handblown opal glass, 3mm (0.11") thick.
Struts: cast aluminium, 3mm (0.12") thick, white powder coated.
Socket: Porcelain, medium base (E26).
Canopy: 5.3" diameter x 0.9" tall cone of spun aluminium.
Cable: white PVC coated, 12 ft.

Weight

8.664

Other functions

Longer cord lengths.

Finish

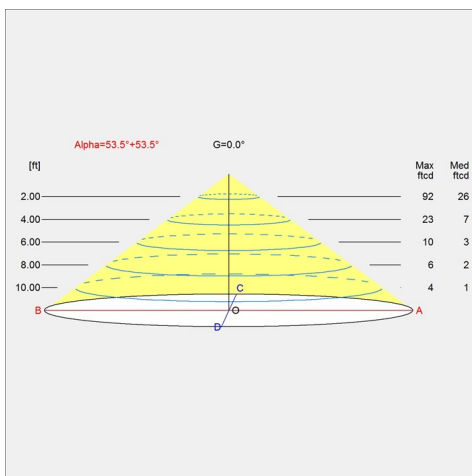
White

Voltage

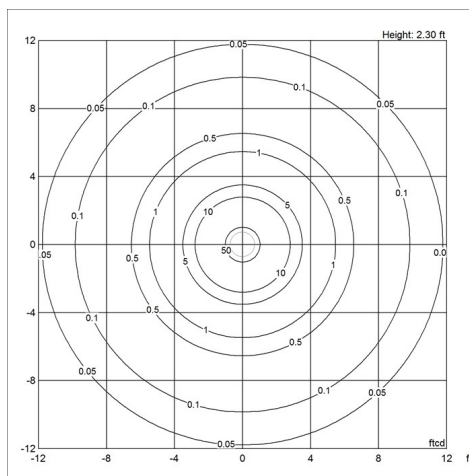
120V

Light distribution diagrams

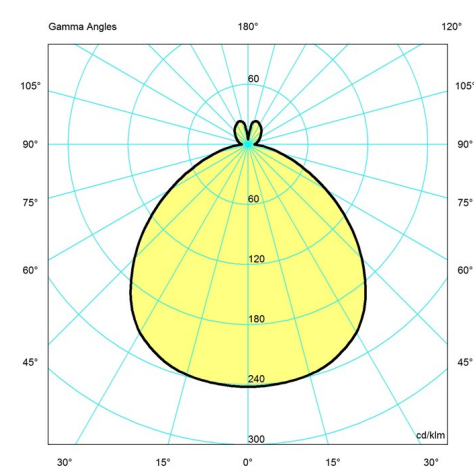
Cartesian



Isolux



Polar



Spare parts & accessories

Product

Canopy White 2-part tophat @
LC Shutters diffuser ball V2

Variant number

5749329034
5741094639