

KEGLEN FLOOR

The floor lamp's distinctive conical shade has a built-in curved diffuser. This ensures an attractive and glare-free downwardly directed light. The stem morphs into the diffuser shade, folding inward and creating a beautiful organic geometry. A gentle light is also emitted upward through a discreet uniform opening in the top of the shade to create a perfect ambiance.



Jakob Lange - BIG Ideas



Product info

Environmental Product Specification

This product is compliant with the requirements contained in the European Directives, RoHS Directive 2011/65 and 2015/863. This product is designed so that 100% of the product can be disassembled and reused.

Information

An integrated memory function ensures that the lamp will return to its latest adjusted lumen output when power has been removed and restored. Electrical: System Wattage: 9W LED Wattage: 8W Delivered lumens: 481 - 573 Efficacy: 57 lm/W - 67 lm/W (LED) Certifications: cULus, Dry Location Protection class IP20 Controllability: Continuous dimming by integrated button switch. Color Rendering: Ra \geq 90 Dim-to-warm LED CCT: 2700K at 100%; 2000K at max dim.

Mounting

10' Cord with plug. Switch: Button on the base. LED driver: Separate, plugs into power outlet.

Finish

Black or white, matte, wet-painted.

Materials

Shade: Spun aluminum. Diffusor: Injection-molded PC. Base: Die cast aluminum. Stem: Machined aluminum.

Sizes and weight

Width x Height x Length (in.) | 15.7 x 54.3 x 15.7 Max 15.4 lbs

Compliance

cULus, Dry location.

Light source

LED 2700-2000K D2W 8.5W
Lumen: 481

Information

An integrated memory function ensures that the lamp will return to its latest adjusted lumen output when power has been removed and restored.

Electrical:

System Wattage: 9W

LED Wattage: 8W

Delivered lumens: 481 - 573

Efficacy: 57 lm/W - 67 lm/W (LED)

Certifications:

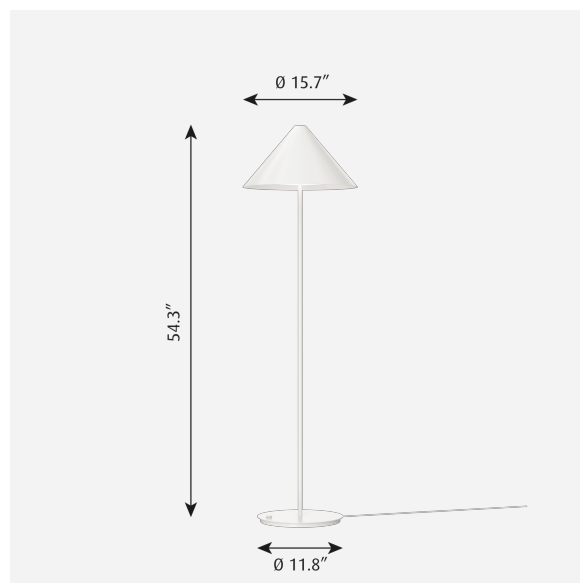
cULus, Dry Location

Protection class IP20

Controllability: Continuous dimming by integrated button switch.

Color Rendering: Ra \geq 90

Dim-to-warm LED CCT: 2700K at 100%; 2000K at max dim.



Related products



Keglen



Keglen Wall



Keglen Table

Product variants

Color	Light source	Lumen
<input checked="" type="radio"/> Black	LED 2700-2000K D2W 8.5W	481
<input type="radio"/> White		509
		541
		573

Product description

The floor lamp's distinctive conical shade has a built-in curved diffuser. This ensures an attractive and glare-free downwardly directed light. The stem morphs into the diffuser shade, folding inward and creating a beautiful organic geometry. A gentle light is also emitted upward through a discreet uniform opening in the top of the shade to create a perfect ambiance.

Mounting

Cord type: White or black. Cord length: 10'. Switch: Button on the base. LED driver: Separate, plugs into power outlet.

Light description

The distinctive conical shade with built-in curved opal acrylic produce attractive and glare-free downward light. Dim-to-warm LED CCT ranges from 2700K at 100% to 2000K at maximum dim.

Design

Big Ideas

Material

Shade: Spun aluminum. Diffuser: Injection-molded PC. Base: Die cast aluminum. Stem: Machined aluminum.

Weight

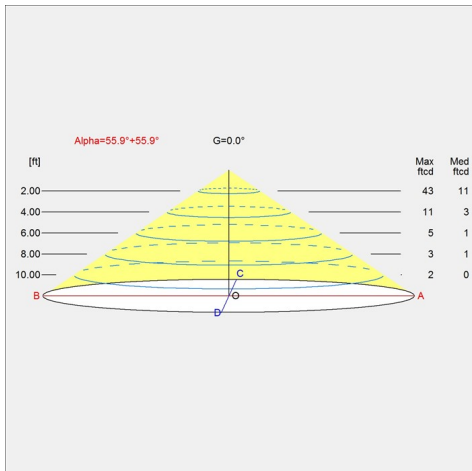
Min: 15.432 lbs Max: 15.432 lbs

Finish

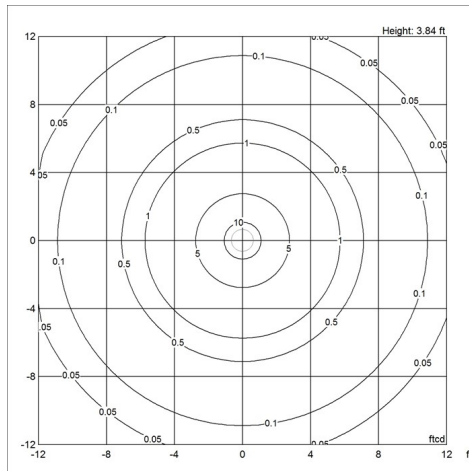
Black, White

Light distribution diagrams

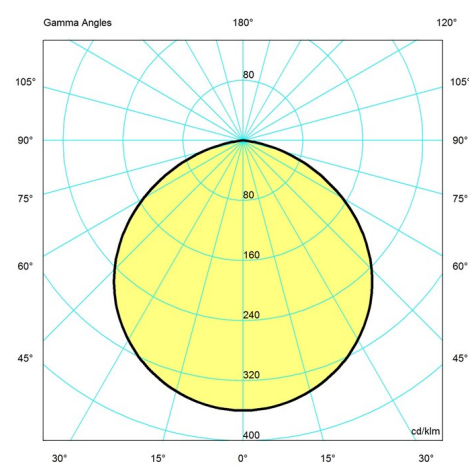
Cartesian



Isolux



Polar



Spare parts & accessories

Product

- Adaptor 12V black
- Adaptor 12V white

Variant number

- 5744164867
- 5744164870