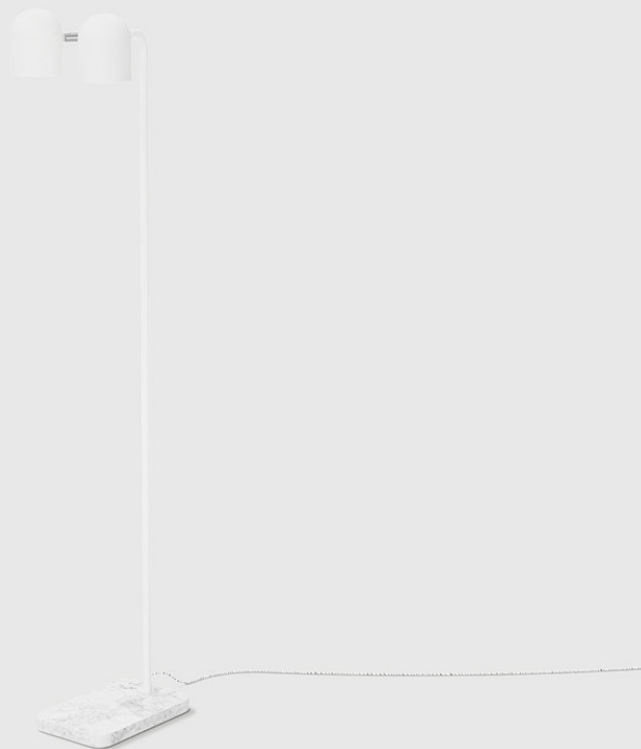


# Tandem Floor Lamp



White

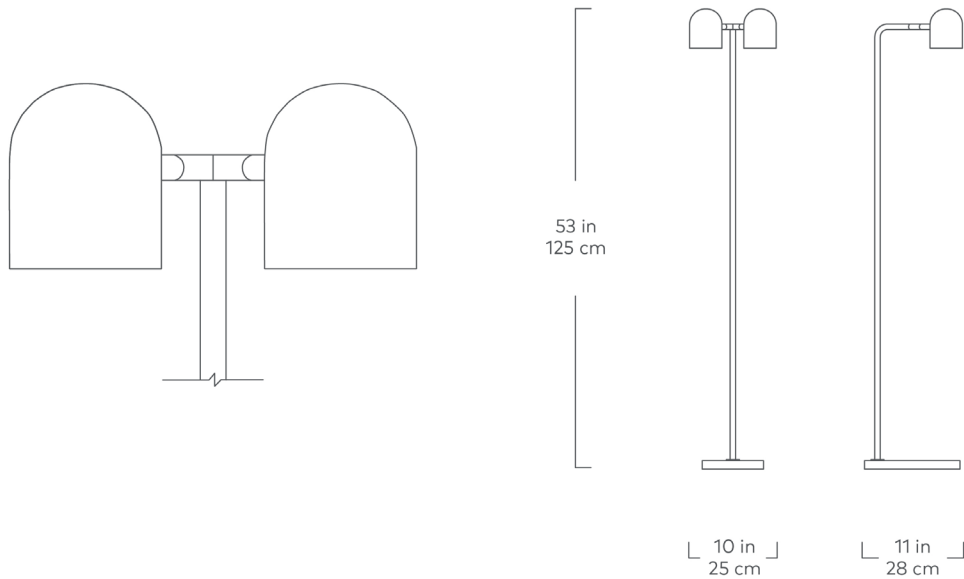


Black

Form meets function in the forward-thinking Tandem lighting collection, which combines streamlined industrial aesthetics with a practical ethos, resulting in a simple yet stunning design. A white or black powder-coated finish shines when teamed with thoughtful details, like a coordinating marble base and convenient foot switch. Adjustable lamp heads, allow you to easily spotlight a favorite piece of art or illuminate a dark corner in your living room.

Design Trade Professionals: We aim to keep our designs in stock and ready to ship quickly for projects on a tight timeline. Designs may be customized with COM and alternate finishes (minimum quantities may apply). Visit [guscontract.com](http://guscontract.com) for more information about our Trade & Contract programs.

# Tandem Floor Lamp



- Mechanism allows each lamp head to rotate and tilt for the perfect lighting position.
- Black lamp is paired with a black marble base.
- White lamp is paired with a white marble base.
- Fabric electrical cord with foot switch (black cord for black colorway, black & white mix cord for white colorway).
- UL Listed.
- GU 10 light bulb for each lampshade included (5W, Bright Light 3000K, 380 Lumens, 120 Volt).