

# Eglinton Dining Chair



## FRAME

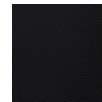


Walnut



White  
Oak

## SEAT

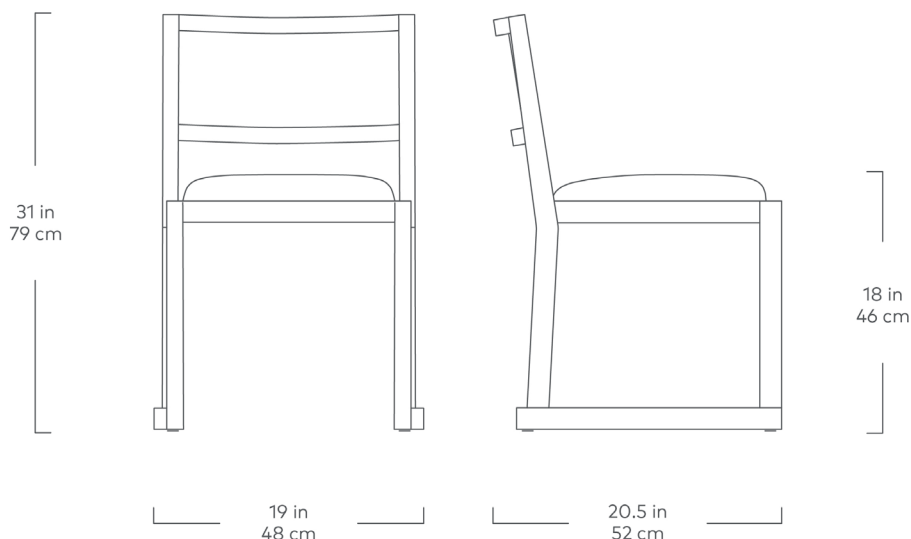


Vinyl  
Noir

Give the accolade of "Best Seat in the House" new meaning with the clean lines and bespoke attitude of the Eglinton Dining Chair. Traditional caning techniques highlight the back, while a solid wood frame adds a modern and sturdy appeal to the rest of the form. Durable, faux-leather upholstery on the seats adds just the right masculine edge, resulting in a standout design that expertly toes the line between understated and impactful.

Design Trade Professionals: We aim to keep our designs in stock and ready to ship quickly for projects on a tight timeline. Designs may be customized with COM and alternate finishes (minimum quantities may apply). Visit [guscontract.com](http://guscontract.com) for more information about our Trade & Contract programs.

# Eglinton Dining Chair



- Dining chair is stackable. Recommended maximum of 4 high.
- High resiliency medium density polyurethane foam seat is upholstered in vinyl which is durable and easy to clean.
- Curved backrest offers extra comfort and features traditional caning detailing.
- Chairs are finished in Rubio® Monocoat - a durable, matte, oil-based protector designed to highlight the beauty of natural wood.
- Wood finish is certified 0% VOC and is an all-natural, environmentally friendly product.
- Surface can be revitalized as desired. Visit Rubio® Monocoat website for more information.
- Tack glide feet on legs to protect hardwood floors.
- All fabric is California TB117-2013 certified and double rub tested.
- Wood is a natural material, with variations in grain pattern and colour that make each design unique.
- It is normal for solid wood to expand and shrink as a result of variations in environmental humidity. A consistent humidity level of approximately 50% is recommended to prevent cracks and surface splits.

