

Nexus Armless



Parliament
Stone



Parliament
Coffee

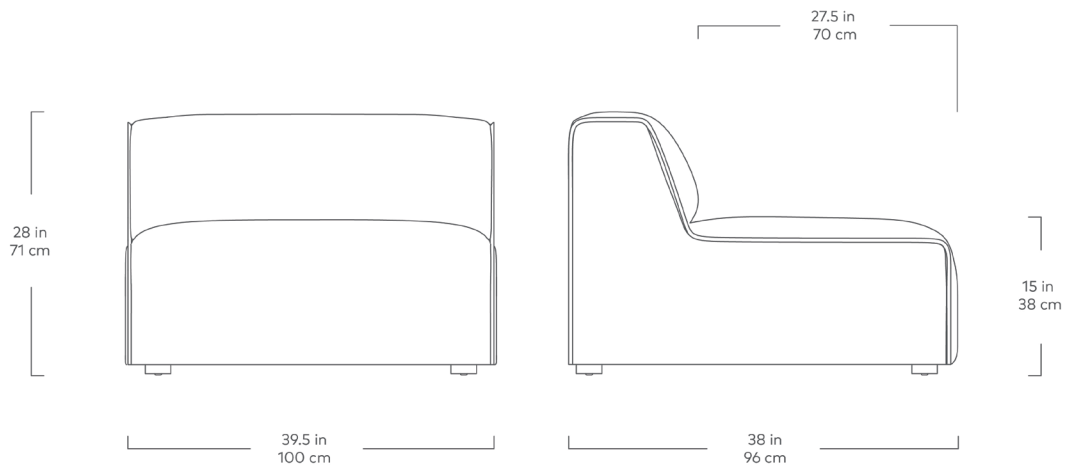


Parliament
Lake

The Nexus Modular Collection is based on a pair of seating components (Chair and Chaise) which can be combined in a myriad of ways to create a sofa or sectional that is custom-designed for your space. With a low-profile silhouette, and chunky, piped-edge details, the Nexus balances clean-lined Minimalism with a relaxed, bohemian vibe. The kiln-dried hardwood frame and block feet are constructed from FSC®-Certified hardwood, in support of responsible forest management. Nexus uses a clean, ultra soft, long-strand fiber fill material that offers the comfort and feel of traditional waterfowl down. This material is created through a process that benefits the environment by diverting 315 plastic bottles away from landfills, waterways and oceans for each Nexus Chair we build.

Design Trade Professionals: We aim to keep our designs in stock and ready to ship quickly for projects on a tight timeline. Designs may be customized with COM and alternate finishes (minimum quantities may apply). Visit gusmodern.com for more information about our Trade & Contract programs.

Nexus Armless



- Seat and inside back of each component is upholstered in a quilted fabric, while the side panels are plain.
- Chunky, piped-edge details add to the relaxed feel.
- Cushions contain an eco-friendly, synthetic-down fill made from 315 recycled plastic water bottles.
- Wood block feet are FSC®-Certified Ash in a black stain.
- Plastic bumpers on all feet to prevent floor damage.
- Each component includes concealed connectors to securely join them to each other while in sectional or sofa configuration.
- 9 gauge No-Sag, injection-molded sinuous spring clip system.
- All joints have been stress tested.
- Manufactured to meet California TB117-213 fire safety standards without the use of flame retardant additives in the upholstery foam.
- Kiln-dried FSC®-Certified hardwood frame (FSC® 092551).

