

# Mulholland Chair



Caledon  
Antler



Caledon  
Cinder



Caledon  
Sedona

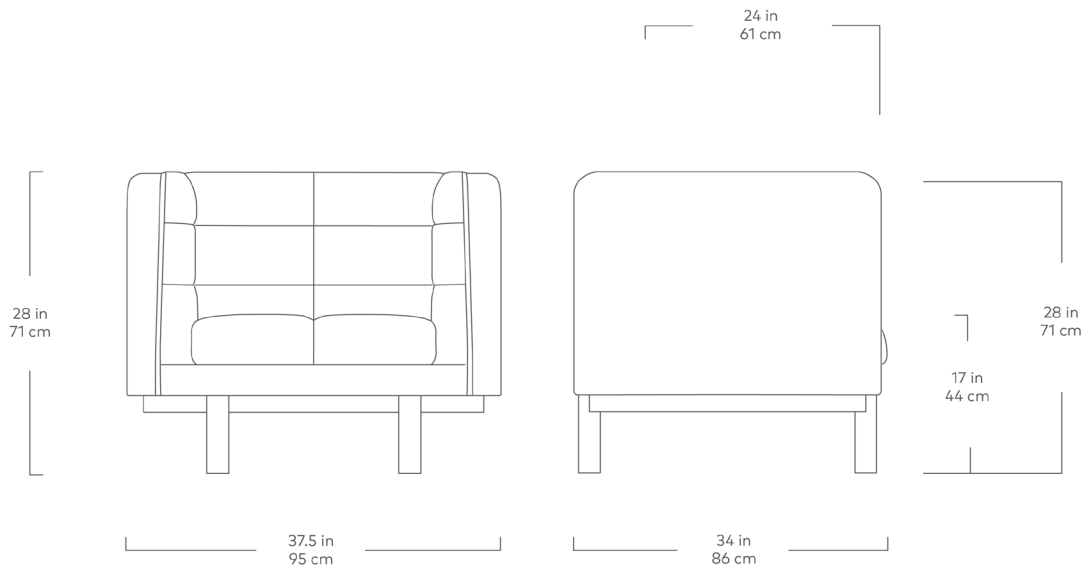


Parliament  
Stone

Drawing inspiration from both mid-century and contemporary influences, the Mulholland Chair is a tailored design with distinctive tufting on the seat, arms and back that creates subtle character and an attractive, modern aesthetic. With no cushions to adjust, the tuxedo-style frame creates an enveloping space where everything stays in place and looks beautiful day after day. An eco-friendly, solid wood perimeter base with notched-dowel leg details softens the overall look and adds warmth to the design. All wood inside and out is FSC®-certified in support of responsible forest management. Part of the Mulholland Series, the Chair matches perfectly with the Mulholland Lounge, Sofa and Bi-Sectional.

Design Trade Professionals: We aim to keep our designs in stock and ready to ship quickly for projects on a tight timeline. Designs may be customized with COM and alternate finishes (minimum quantities may apply). Visit [guscontract.com](https://guscontract.com) for more information about our Trade & Contract programs.

# Mulholland Chair



- Features a modern tuxedo frame (arms and back are at the same height).
- Blind-tufted upholstery on seat, back, and arms.
- Delicate piping detail on arms.
- Solid wood perimeter base and dowel legs are crafted from solid ash.
- Solid Ash is FSC®-Certified in support of responsible forest management (FSC® 092551).
- Non-marking tack glide feet on the bottom of legs to protect hardwood floors.
- Kiln-dried FSC®-Certified hardwood inner frame (FSC® 092551).
- Manufactured to meet California TB117-2013 fire safety standards without the use of flame retardant additives in the upholstery foam.
- Part of the Mulholland Series, the Chair matches perfectly with the Mulholland Sofa, Bi- Sectional and Lounge.

