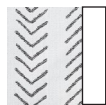


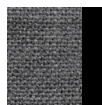
GT Rocker



Lino
Birch/
White



Lino
Birch/
Black



Andorra
Pewter/
Black

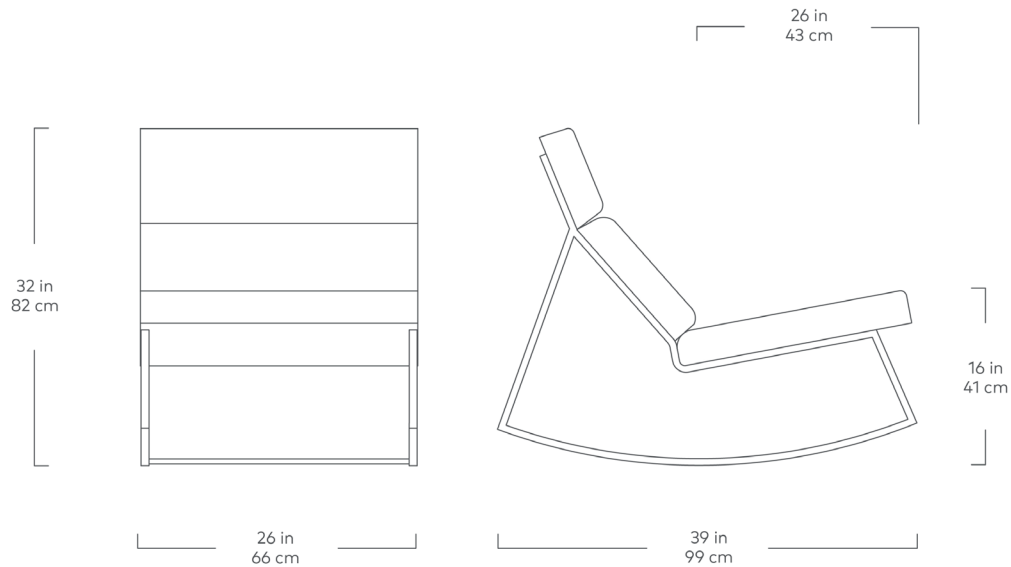


Copenhagen
Fossil/
Black

The Gus* version of the perfect modern rocking chair; featuring a powder coated frame with architecturally-styled cushions inspired by airport lounge seating and 70's car interiors. Constructed with FSC®-Certified hardwood in support of responsible forest management.

Design Trade Professionals: We aim to keep our designs in stock and ready to ship quickly for projects on a tight timeline. Designs may be customized with COM and alternate finishes (minimum quantities may apply). Visit guscontract.com for more information about our Trade & Contract programs.

GT Rocker



- Bench-made, solid steel rocker frame.
- Steel frame is finished in durable powder-coat.
- Fabric/finish options are as shown in product images.
- Felt strips on the bottom of rockers to protect hardwood floors.
- Three cushion panels are attached to the steel frame.
- Cushion fill is Dacron wrapped to maintain shape.
- Manufactured to meet California TB117-2013 fire safety standards without the use of flame retardant additives in the upholstery foam.
- Constructed using, FSC®-Certified hardwood (FSC® 092551).

