

# ENIGMA 545

The fixture emits glare-free, soft, comfortable downward light. The shade design ensures even illumination of the surface. The matte upper surface diffuses the light, while the glossy lower surface ensures optimal reflection.



## Shoichi Uchiyama

Shoichi Uchiyama was born and bred in Tokyo. Since the foundation of Shoichi Uchiyama Design Office in 1977, he has been committed to creation of lighting fixtures with glare-free indirect light that make objects beautiful, and allow people to feel the texture and depth of objects.



**Sinatur Hotel**



**RealDania**

## Product info

### Information

Electrical: System Wattage: 8W LED Wattage: 7 W Delivered lumens: 341 - 487 Efficacy: 42.6 lm/W - 60.9 lm/W  
 Certifications: cULus, Dry Location Protection class IP20 Controllability: Phase dimming Actual performance dependent upon screw-base lamp used.

### Mounting

Canopy: White. Cord type: 3-conductor, 18 AWG white PVC power cord. Cord length: 12'.

### Finish

Brushed aluminum, clear coated or black wet painted. Shades: White or black acrylic.

### Materials

Cone and pendant tube: Lacquered or wet painted brushed aluminum. Wire: Stainless steel. Shades: Acrylic.

### Sizes and weight

Width x Height x Length (in.) | 21.4 x 38.2 x 21.4 Max 4.7 lbs

### Compliance

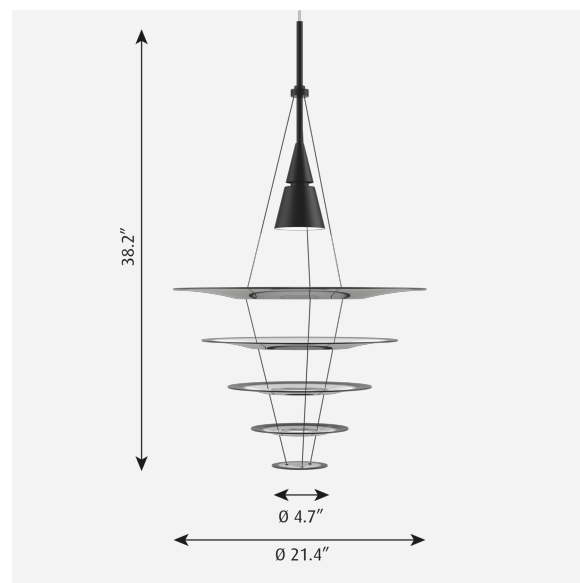
cULus, Dry location.

### Light source

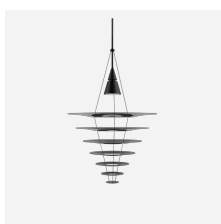
1x8W 1/50W/PAR16 GU10 US

### Information

Electrical:  
 System Wattage: 8W  
 LED Wattage: 7 W  
 Delivered lumens: 341 - 487  
 Efficacy: 42.6 lm/W - 60.9 lm/W  
 Certifications:  
 cULus, Dry Location  
 Protection class IP20  
 Controllability: Phase dimming  
 Actual performance dependent upon screw-base lamp used.



## Related products



Enigma 825



Enigma 425

## Product variants

Color	Cable type	Light source	Voltage frequency
● Black	Black cord	1x8W 1/50W/PAR16 GU10 US	120V
● Br alu	White cord		

# Product description

Enigma pendants incorporate a top mounted light source projecting light downward through a series of thin acrylic slightly contoured rings that appear to be floating, providing a transparent and light expression. The shades are carefully designed and positioned to prevent direct view of the light source while providing ample light distribution.

---

## Mounting

Mounts onto a 4 inch octagonal outlet box. Canopy: Black or white to match pendant finish, flat cone profile, 5.3 IN diameter x 1 IN tall. Cord type: 3-conductor, 18 AWG white or black PVC power cord. Cord length: 12 feet. Provided with a 8 Watt, 3000K, dimmable LED GU10 lamp.

---

## Light description

The fixture emits glare-free, soft, comfortable downward light. The shade design ensures even illumination of the surfaces. The matte upper surfaces of the rings diffuse the light, while the glossy lower surfaces provide optimal reflection.

---

## Design

Shoichi Uchiyama

---

## Material

Shades: Cast acrylic 0.2 IN thick, in opal white or black. Canopy: xx" diameter x xx", spun aluminum. Socket housing: spun and machined aluminum. Socket: Porcelain, GU10 bi-pin for PAR reflector style lamps. Shade wires are stainless steel, uncoated for aluminum color pendant, with black PVD coating for black color pendant. Standard finish on socket housing is matte, wet painted in aluminum color or black. Aluminum colored or black, wet painted brushed aluminum. Shades: White or black acrylic.

---

## Weight

Min: 4.685 lbs Max: 4.685 lbs

---

## Other functions

Longer cord lengths.

---

# Finish

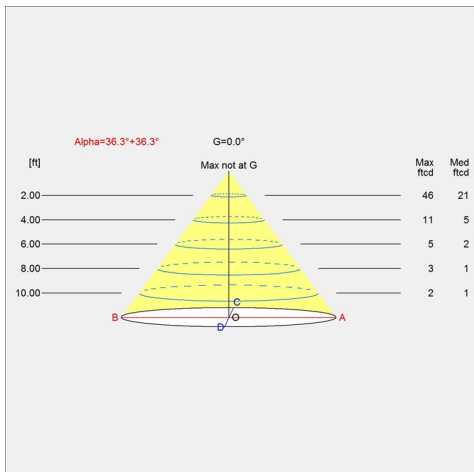
Black, Br alu

# Voltage

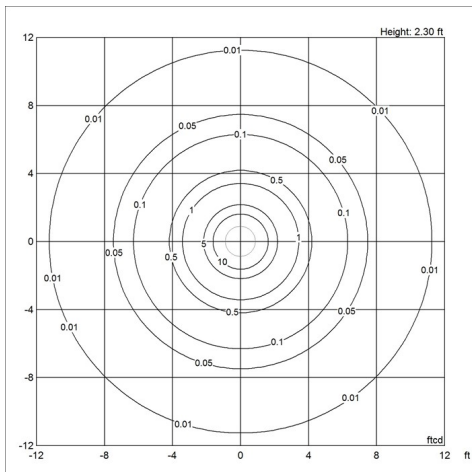
120V

# Light distribution diagrams

Cartesian



Isolux



Polar

