

# DOO-WOP

The fixture primarily provides a downward directed soft light by means of the white lacquered inner conical reflector. The outer reflector, the main shade, contributes to directing the light upwards and downwards, while at the same time spreading the soft diffused light. The inside of the main shade is illuminated through an opening in the inner conical reflector.



**Carl Hansen &  
Son Showroom**



**INGENIØR'NE**

## Product info

### Information

Electrical: System Wattage: 15W LED Wattage: 15W Delivered lumens: 551 Efficacy: 36 lm/W Certifications: cULus, Damp Location Protection class IP20 Controllability: Phase dimming Actual performance dependent upon screw-base lamp used.

### Mounting

Canopy: White. Cord type: 3-conductor, 18 AWG white PVC power cord. Cord length: 12'.

### Finish

White or Dark Grey, powder coated or polished Brass or Copper. Please note that the brass and copper surfaces are untreated. This means that the surface will change over time and develop a patina. This process may have already begun when the product is delivered.

### Materials

Shade: Spun aluminum or spun brass, or copper. Suspension: Spun aluminum. Struts: Stainless steel.

### Sizes and weight

Width x Height x Length (in.) | 11.1 x 9.6 x 11.1 Max 4.5 lbs

### Compliance

cULus, Damp location.

### Specification notes

a. All variants come with white cord and canopy.

### Light source

1x15W A-19/medium

### Information

Electrical:  
System Wattage: 15W  
LED Wattage: 15W  
Delivered lumens: 551  
Efficacy: 36 lm/W  
Certifications:  
cULus, Damp Location  
Protection class IP20  
Controllability: Phase dimming  
Actual performance dependent upon screw-base lamp used.



## Product variants

Color	Light source	Voltage frequency
<input type="radio"/> Brass	1x15W A-19/medium	120V
<input type="radio"/> Copper		
<input type="radio"/> Dark grey		
<input type="radio"/> White		

# Product description

The fixture primarily provides a downward directed soft light by means of the white lacquered inner conical reflector. The main shade contributes to directing the light upwards and downwards, while at the same time spreading the soft diffuse light. The inside of the main shade is illuminated through an opening in the inner conical reflector. The main shade is available in painted aluminum, brass, copper, and stainless steel. The brass, copper, and stainless-steel shades are not coated and may be allowed to patina over time or periodically polished to maintain its original sheen.

---

## Mounting

Mounts onto a 4 inch octagonal outlet box. Canopy: White flat cone profile, 5.3 IN diameter x 1 IN tall. Cord type: 3-conductor, 18 AWG white fabric-covered power cord. Cord length: 12 feet.

---

## Light description

A diffuse, downward light is reflected from the matte, white interiors of the shades, which is glare-free when hung at normal height. Doo-Wop pendant is provided with a medium base socket allowing the use of various color temperatures or wirelessly controlled lamps as desired.

---

## Design

Louis Poulsen A/S in cooperation with the Navy Buildings Department

---

## Material

\*Shade: spun aluminum, brass, copper, or stainless steel, 0.08 IN thick. Socket: Porcelain, medium base for A-19, clear envelope lamps. Canopy is spun aluminum, 0.03 IN thick. Standard finish on interior components are matte surface powder coat with minimum 2 mils thickness in white.  
Brass, Cop lac, Dark grey, Stainl steel polish, White\*

---

## Weight

Min: 2.705 lbs Max: 4.515 lbs

---

## Other functions

Longer cord lengths. Alternative finishes.

---

## Finish

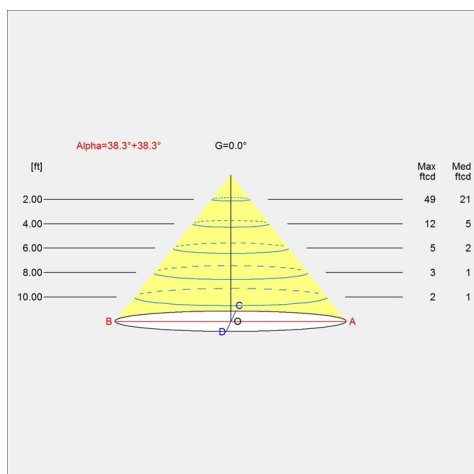
Brass, Copper, Dark grey, White

## Voltage

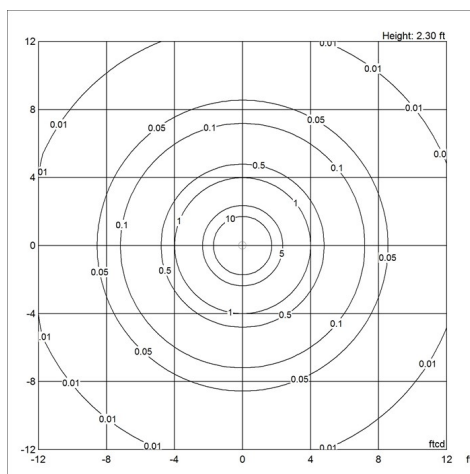
120V

# Light distribution diagrams

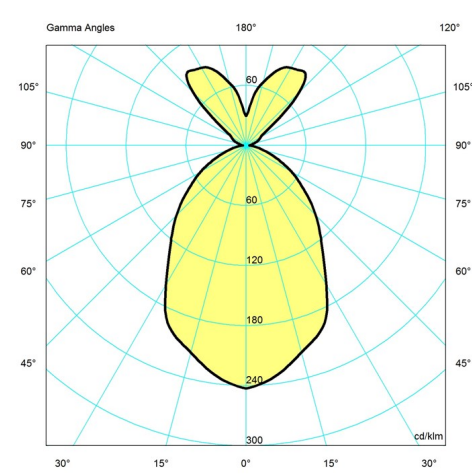
### Cartesian



### Isolux



### Polar



## Spare parts & accessories

### Product

Canopy White 2-part tophat @  
Doo-Wop socket + cord suspension  
Small canopy, white  
Small canopy, black

### Variant number

5749329034  
5741094613  
S0771  
10000018378