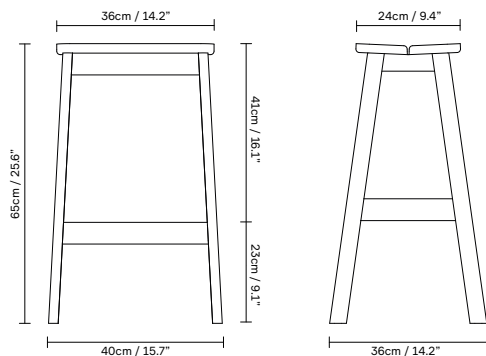


Angle Standard Bar Stool 65

Product Fact Sheet

Angle Standard Bar Stool 65

No. (5200) Angle Standard Bar Stool, 65, Beech / No. (5201) Angle Standard Bar Stool, 65, Black Stained Beech



Dimensions:

W: 40 cm / 15.7", H: 65 cm / 25.6", D: 36 cm / 14.2", Seat Depth: 24 cm / 9.4"

Product description:

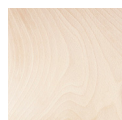
A versatile stool that meets all needs and requirements of form, functionality, and durability. The two sides of the seating base are angled 5 degrees towards each other. This unique design feature facilitates surprising comfort for such a minimal footprint and makes this an ideal choice for seating.

The Angle standard stool is designed for both domestic and commercial spaces, the stool is intended as a heavy-duty seating option that can withstand most impact due to its qualitative solid seat and strong sturdy legs. The Angle standard stool collection brings together enduring material, craftsmanship and functionality.

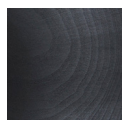
Designer's thoughts:

"With Angle Standard Stool we aimed for a light, comfortable stool that would stand up to everyday use. Angling the two components of the seat made the small stool surprisingly comfortable, even with prolonged use. The transverse bars give the construction added strength." – Herman Studio

Finish:



Beech Matt
lacquer



Beech Black
stained, RAL
Code 9005,
Gloss 5

Made-to-order:

Non-standard configurations (special colours etc.) are available upon request at a minimum order quantity

Product type: Bar stool

Environment: Indoor

Material: Solid European beech

Country of origin: Bosnia-Herzegovina

Net weight: 3,3 kg / 7.2 lb

Designed by/year of design: Herman Studio, 2018

Pre-assembled: Yes

Contract use: Yes

Scope of application: Kitchen counter stool, bar stool

Warranty: Form & Refine provides a five-year product warranty

Care guide Lacquered or Stained Wood: [Link to download](#)

Additional resources: [Link to image bank, 2D/3D files](#)