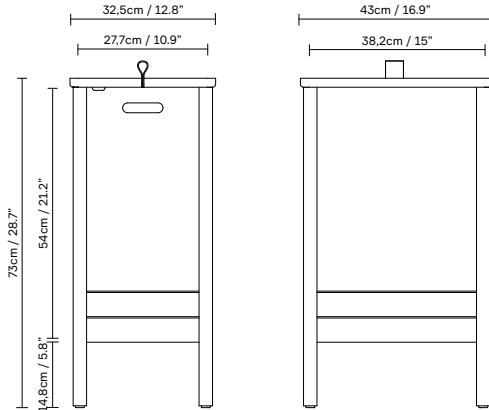


A Line Laundry Box

Product Fact Sheet

A Line Laundry Box

No. (2125) A Line Laundry Box, oak / No. (2126) A Line Laundry Box, white oak



Dimensions:

W: 43 cm / 16.9", H: 73 cm / 28.7", D: 32,5 cm / 12.8"

Product description:

This laundry box is a rediscovered classic made of solid, highly durable, oak. It is a very practical container with a large amount of storage space. The lid is lifted by a small leather handle on the top and the handles on each side make it possible to move the box around easily while in use. The two parallel grooves let the air inside the box ventilate naturally, an important feature for a laundry box. The lower cut of the two legs angles the piece so as to give it a feeling of being lifted up making the overall design solid and robust but also stylish. The A Line Laundry Box is a special piece of furniture that can take a prominent position in your home.

Designer's thoughts:

"Our wish was to create a classic, yet simple laundry box with beautiful details around the lid. The elongated format adds to a refined appearance that takes up minimal space wherever placed." - Herman Studio

Finish:



Natural oil
treated



White oil
treated

Made-to-order:

Non-standard configurations (special colors etc.) are available upon request at a minimum order quantity

Product type: Laundry box

Environment: Indoor

Material: Solid European oak.
Bottom: Veneer MDF. Natural bend leather

Country of origin: Bosnia-Herzegovina

Net weight: 12,4 kg / 27.3 lb

Designed by/year of design: Herman Studio, 2020

Pre-assembled: Yes

Contract use: Yes

Warranty: Form & Refine provides a five-year product warranty

Care guide: [Link to download](#)

Additional resources: [Link to image bank, 2D/3D files](#)