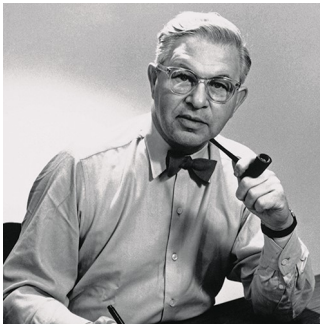
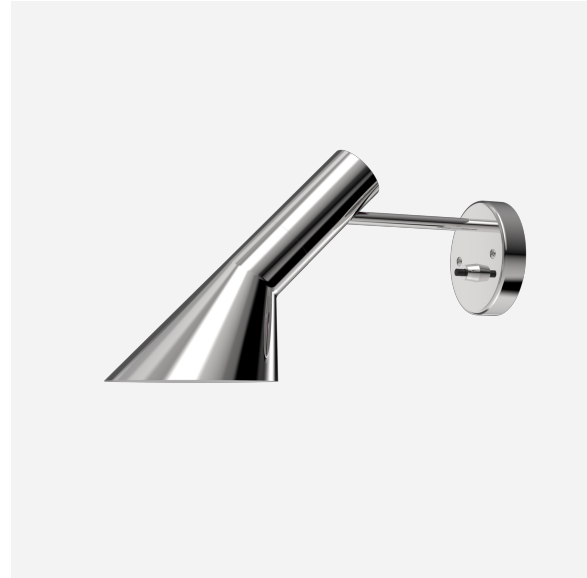


AJ WALL

The fixture emits downward directed light. The angle of the shade can be adjusted approximately 90 degrees up and down and 60 degrees to each side to optimize light distribution. The shade is painted white on the inside to ensure a soft comfortable light.



Arne Jacobsen

Arne Jacobsen was born and raised in Copenhagen. In 1927, he graduated as an architect from the Royal Danish Academy of Fine Arts in Copenhagen. After graduating, he obtained his first job at the office of the City Architect of Copenhagen launching his own office only two years later.



Product info

Environmental Product Specification

This product is compliant with the requirements contained in the European Directives, RoHS Directive 2011/65 and 2015/863. This product is designed so that 100% of the product can be disassembled and reused.

Information

Electrical: Wattage: 10W Delivered lumens: 263 Efficacy: 26.3 lm/W Certifications: cULus, Dry Location
Protection class IP20 Controllability: Phase Dimming Color Rendering: Ra \geq 90

Mounting

Mounted directly to finished surface over a 4" octagonal junction-box. On/off switch on the wall plate, white for white finish, black for non-white finishes. Variants without on/off switch to be remotely controlled.

Finish

White, Black, Pale Petroleum, Warm Sand, Soft Lemon, Electric Orange, Dusty Blue, Warm Grey, Stainless Steel Polished.

Materials

Shade: Spun steel or stainless steel. Wall box: Spun steel or deep drawn stainless steel. Arm: Steel or stainless steel.

Sizes and weight

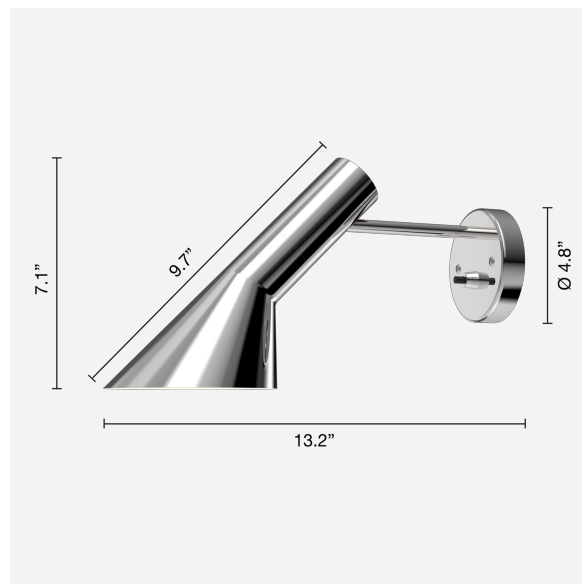
Width x Height x Length (in.) | 5.7 x 7.1 x 12.5 Max 2.1 lbs

Compliance

cULus, Dry location.

Information

Electrical:
Wattage: 10W
Delivered lumens: 263
Efficacy: 26.3 lm/W
Certifications:
cULus, Dry Location
Protection class IP20
Controllability: Phase Dimming
Color Rendering: Ra \geq 90



Related products



AJ Mini Table



AJ Royal



AJ Floor



AJ 50 Wall



AJ Table



AJ Garden Bollard



AJ Oxford Table Lamp



AJ Mini Anniversary Edition

Product variants

Color	Light source	Voltage frequency	Shade	Switch
<input checked="" type="radio"/> Black	-	120V	-	With switch
<input type="radio"/> Dusty blue	1x10W G16.5/candelabra		TILTABLE	Without switch
<input type="radio"/> Electric orange	1x20W G16.5/candelabra			
<input type="radio"/> Pale petroleum				
<input type="radio"/> Soft lemon				
<input type="radio"/> Stainless steel polished				
<input type="radio"/> Warm grey				
<input type="radio"/> Warm sand				
<input type="radio"/> White				

Product description

The AJ lamps were designed by Arne Jacobsen in 1960 for the SAS Royal Hotel in Copenhagen (Radisson Blu). The iconic design is available in a wide range of colors and is part of a family including table, floor, and outdoor wall.

Mounting

Mounted directly to finished surface over a 4" octagonal junction-box. Switch: On/off switch on the wall plate, white for white finish, black for non-white finishes.

Light description

A semi-conical fixture head with a slender arm fixed to a round mounting box. Fixture head rotates and pivots to direct light as needed. A terse and iconic design available in a wide range of colors. A member of a product family for both outdoor and indoor.

Design

Arne Jacobsen

Material

Shade: Spun steel or stainless steel. Wall box: Spun steel or deep drawn stainless steel. Arm: Steel or stainless steel.

Weight

Min: 1.991 lbs Max: 2.108 lbs

Other functions

Available without button switch on wall box.

Finish

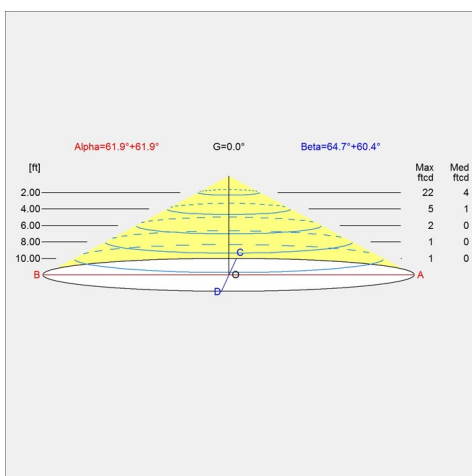
Black, Dusty blue, Electric orange, Pale petroleum, Soft lemon, Stainless steel polished, Warm grey, Warm sand, White

Voltage

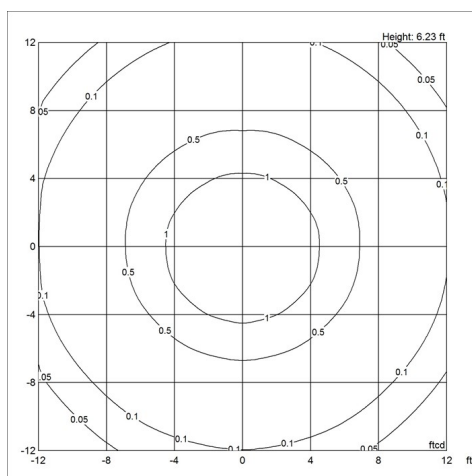
120V

Light distribution diagrams

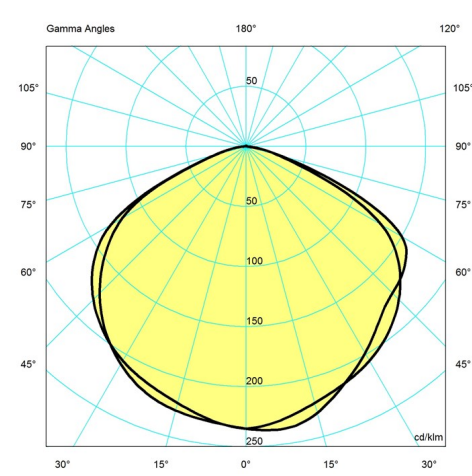
Cartesian



Isolux



Polar



Spare parts & accessories

Product	Variant number
AJ UNION NUT ELECT ORANGE	5744170301
AJ UNION NUT SOFT LEMON	5744170314
AJ UNION NUT WARM SAND	5744170327
AJ UNION NUT DUSTY BLUE	5744170330
AJ UNION NUT WARM GREY	5744170343